



CULTEC HVLV® FC-48 FEED CONNECTOR

HVLV® FC-48 Feed Connectors may be used to create an internal manifold by inserting them into the side portals of the CULTEC stormwater chamber. The HVLV® FC-48 Feed Connector may be used with Recharger® 902HD chambers. They have a larger flow capacity than 12" (300 mm) diameter pipe.



Size (L x W x H)	49" x 16" x 12" 1245 mm x 406 mm x 305 mm
Installed Length (exposed)	For Recharger 902HD: 9" typ. For Recharger 902HD: 229 mm typ.
Chamber Storage	0.91 ft ³ /ft 0.08 m ³ /m
Compatible Models	Recharger 902HD

HVLV FC-48 Feed Connector Bare Chamber Storage Volumes

Elevation		Incremental Storage Volume		Cumulative Storage	
in.	mm	ft ³ /ft	m ³ /m	ft ³ /ft	m ³ /m
12	305	0.004	0.000	0.913	0.085
11	279	0.031	0.003	0.909	0.084
10	254	0.060	0.006	0.878	0.082
9	229	0.073	0.007	0.818	0.076
8	203	0.081	0.008	0.745	0.069
7	178	0.085	0.008	0.664	0.062
6	152	0.089	0.008	0.579	0.054
5	127	0.093	0.009	0.490	0.046
4	102	0.095	0.009	0.397	0.037
3	76	0.097	0.009	0.302	0.028
2	51	0.099	0.009	0.205	0.019
1	25	0.106	0.010	0.106	0.010
Total		0.913	0.085	0.913	0.085

Calculations are based on ft³/ft (m³/m).
Multiply by the installed length (exposed) to calculate storage per unit.

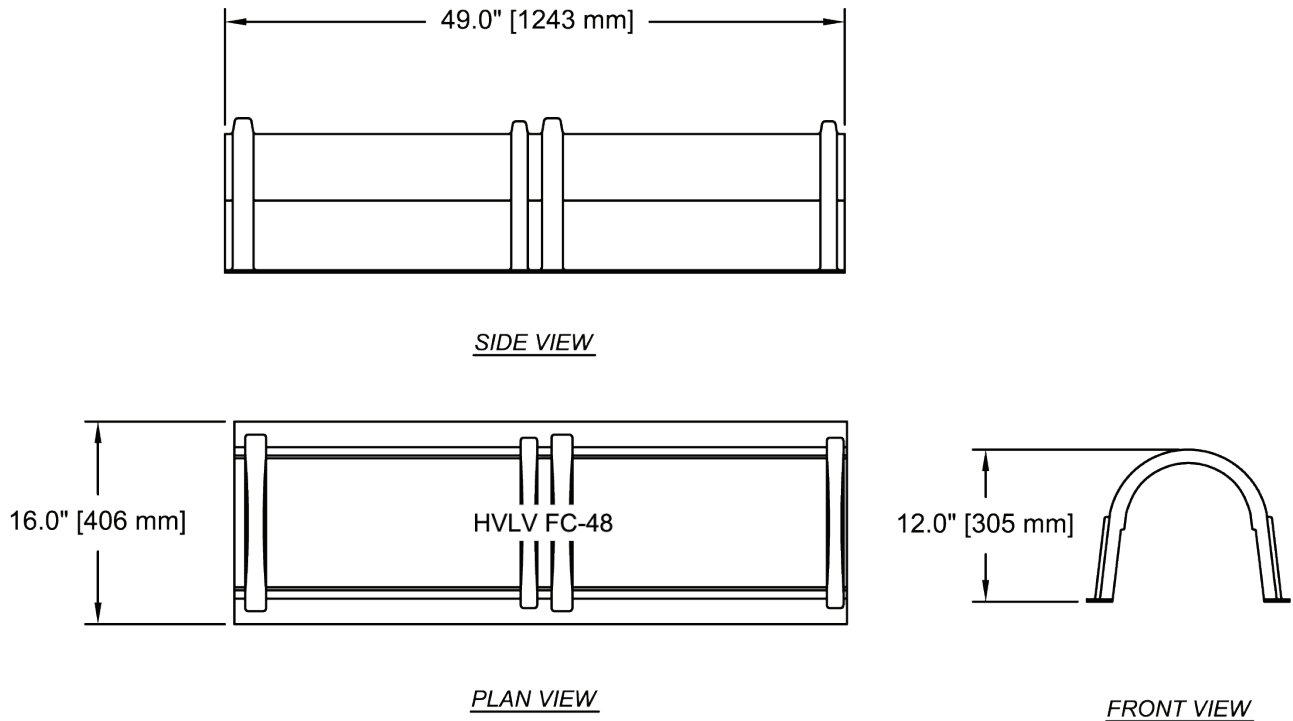


Shown: CULTEC HVLV FC-48 Feed Connector inserted into side portals of CULTEC chamber.

For more information, contact CULTEC at (203) 775-4416 or visit www.cultec.com.



Three View Drawing



CULTEC HVLV® FC-48 Feed Connector Specifications

GENERAL

CULTEC HVLV® FC-48 Feed Connectors are designed to create an internal manifold for CULTEC Recharger model 902HD stormwater chambers.

CHAMBER PARAMETERS

1. The chambers will be manufactured by CULTEC, Inc. of Brookfield, CT (203-775-4416, cultec.com).
2. The chamber shall be vacuum thermoformed of polyethylene with a black interior and blue exterior.
3. The chamber will be arched in shape.
4. The chamber will be open-bottomed.
5. The nominal chamber dimensions of the CULTEC HVLV® FC-48 Feed Connector shall be 12 inches (305 mm) tall, 16 inches (406 mm) wide and 49 inches (1245 mm) long.
6. The nominal storage volume of the HVLV® FC-48 Feed Connector will be 0.913 ft³ / ft (0.085 m³ / m) - without stone.
7. The HVLV® FC-48 Feed Connector chamber shall have 2 corrugations.
8. The HVLV® FC-48 Feed Connector must be formed as a whole chamber having two open end walls and having no separate end plates or separate end walls. The unit will fit into the side portals of the CULTEC Recharger stormwater chamber and act as cross feed connections creating an internal manifold.
9. The chamber shall be manufactured in an ISO 9001:2015 certified facility.