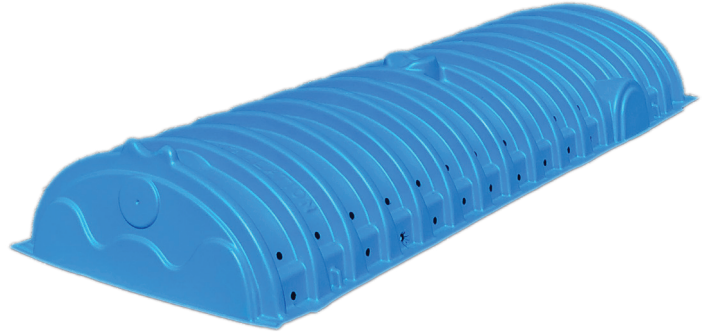


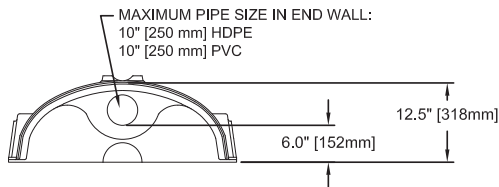
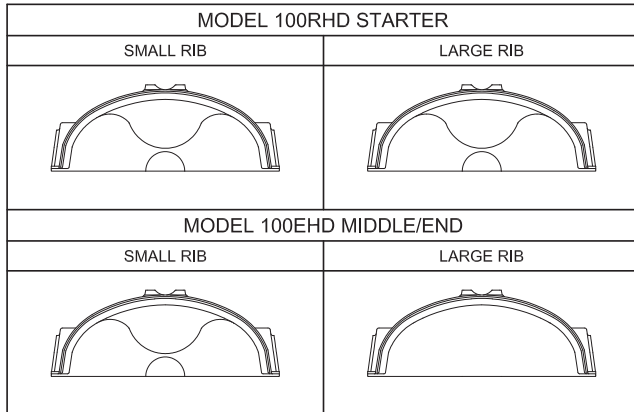


# CULTEC CONTACTOR® 100HD SEPTIC CHAMBER

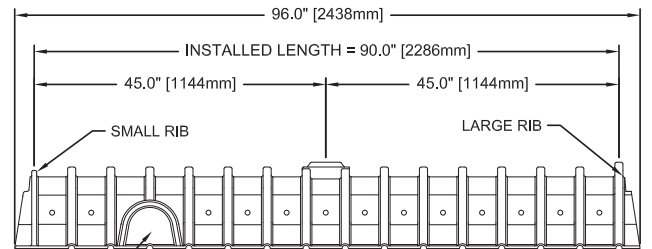
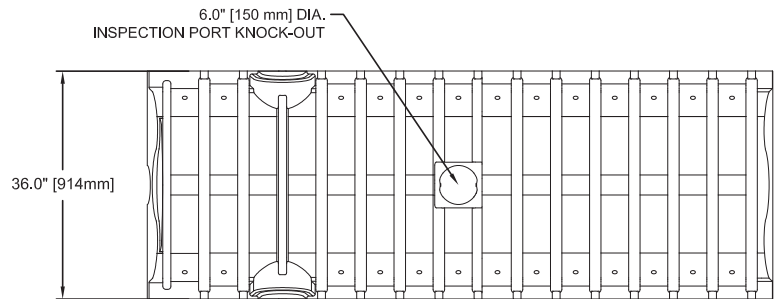
The Contactor® 100HD is a 12.5" (318 mm) tall, low profile chamber and is typically used for installations with depth restrictions or when a larger infiltrative area is required.



Size (L x W x H)	8' x 36" x 12.5" 2.44 m x 914 mm x 318 mm
Installed Length	7.5' 2.29 m
Length Adjustment per Run	0.5' 0.15 m
Chamber Storage	1.87 ft <sup>3</sup> /ft 0.17 m <sup>3</sup> /m 14.00 ft <sup>3</sup> /unit 0.40 m <sup>3</sup> /unit
Max. Allowable Cover	12' 3.66 m
Invert Height	6" 152 mm



CULTEC CONTACTOR 100HD CHAMBER STORAGE = 1.866 CF/FT [0.173 m<sup>3</sup>/m]  
 INSTALLED LENGTH ADJUSTMENT = 0.5' [0.15 m]

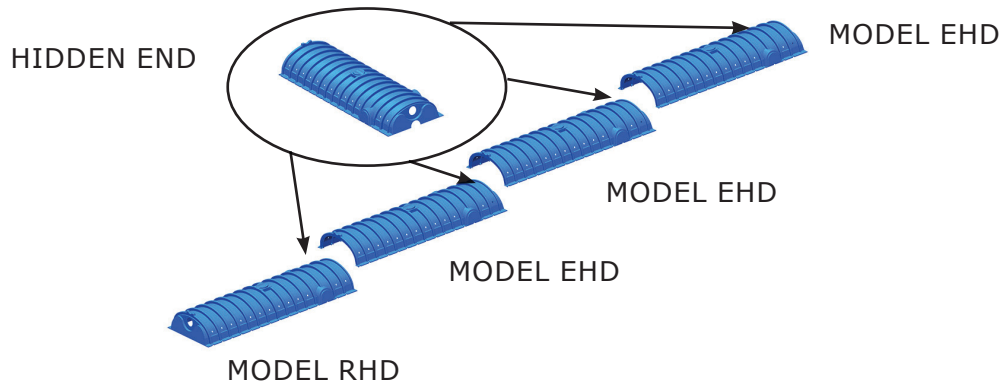


SIDE PORTAL FOR OPTIONAL INTERNAL MANIFOLD  
 (ACCOMMODATES CULTEC HVLV SFCx2 FEED CONNECTOR OR STORM PIPE)  
 MAX. PIPE:  
 6" [150 mm] HDPE  
 6" [150 mm] PVC

For more information, contact CULTEC at (203) 775-4416 or visit [www.cultec.com](http://www.cultec.com).



## Typical Interlock Installation



## CULTEC Contactor® 100HD Specifications

### GENERAL

CULTEC Contactor® 100HD septic chambers are designed to be used for septic leachfields.

### CHAMBER PARAMETERS

1. The chambers shall be manufactured in the U.S.A. by CULTEC, Inc. of Brookfield, CT. (cultec.com, 203-775-4416).
2. The chamber shall be vacuum thermoformed of polyethylene with a black interior and blue exterior.
3. The chamber shall be arched in shape.
4. The chamber shall be open-bottomed.
5. The chamber shall be joined using an interlocking overlapping rib method. Connections must be fully shouldered overlapping ribs, having no separate couplings or separate end walls.
6. The nominal chamber dimensions of the CULTEC Contactor® 100HD shall be 12.5 inches (318 mm) tall, 36 inches (914 mm) wide and 8 feet (2.44 m) long. The installed length of a joined Contactor® 100HD shall be 7.5 feet (2.29 m).
7. The nominal storage volume of the Contactor® 100HD chamber shall be 1.866 ft<sup>3</sup> / ft (0.173 m<sup>3</sup> / m). The nominal storage volume of a single Contactor® 100RHD Stand Alone unit shall be 14.93 ft<sup>3</sup> (0.42 m<sup>3</sup>). The nominal storage volume of a joined Contactor® 100EHD as an Intermediate unit shall be 13.995 ft<sup>3</sup> (0.396 m<sup>3</sup>). The nominal storage volume of the length adjustment amount per run shall be 0.93 ft<sup>3</sup> (0.09 m<sup>3</sup>).
8. The Contactor® 100HD chamber shall have forty-four discharge holes bored into the sidewalls of the unit's core to promote lateral conveyance of water.
9. The Contactor® 100HD chamber shall have 16 corrugations.
10. The endwall of the chamber, when present, shall be an integral part of the continuously formed unit. Separate end plates cannot be used with this unit.
11. The Contactor® 100RHD Starter/Stand Alone unit must be formed as a whole chamber having two fully formed integral endwalls and having no separate end plates or separate end walls.
12. The Contactor® 100EHD Middle/End unit must be formed as a whole chamber having one fully formed integral endwall and one fully open end wall and having no separate end plates or end walls.
13. Chambers must have horizontal stiffening flex reduction steps between the ribs.
14. The chamber shall have a raised integral cap at the top of the arch in the center of each unit to be used as an optional inspection port or clean-out.
15. The units may be trimmed to custom lengths by cutting back to any corrugation on the large rib end.
16. The chamber shall be manufactured in an ISO 9001:2015 certified facility.
17. Maximum allowable cover over the top of the chamber shall be 12' (3.66 m) for the Heavy Duty version.
18. The chamber shall be designed and manufactured to meet the material and structural requirements of IAPMO PS 63-2019, including resistance to AASHTO H-10 and H-20 highway live loads, when installed in accordance with CULTEC's installation instructions.
19. The chamber shall be designed to withstand traffic loads when installed according to CULTEC's recommended installation instructions.