

**CULTEC RECHARGER® V8R LS LANDSCAPER SERIES® SPECIFICATIONS**

**GENERAL**  
 CULTEC RECHARGER® V8R LS CHAMBERS ARE DESIGNED FOR UNDERGROUND STORMWATER MANAGEMENT. THE CHAMBERS MAY BE USED FOR RETENTION, RECHARGING, DETENTION OR CONTROLLING THE FLOW OF ON-SITE STORMWATER RUNOFF IN NON-TRAFFIC AREAS.

**CHAMBER PARAMETERS**

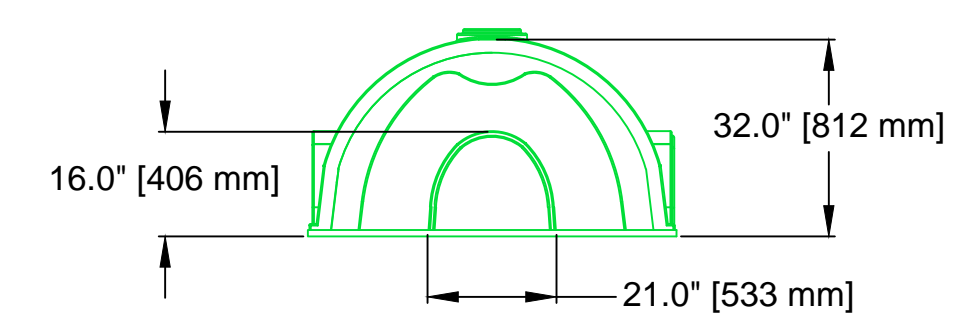
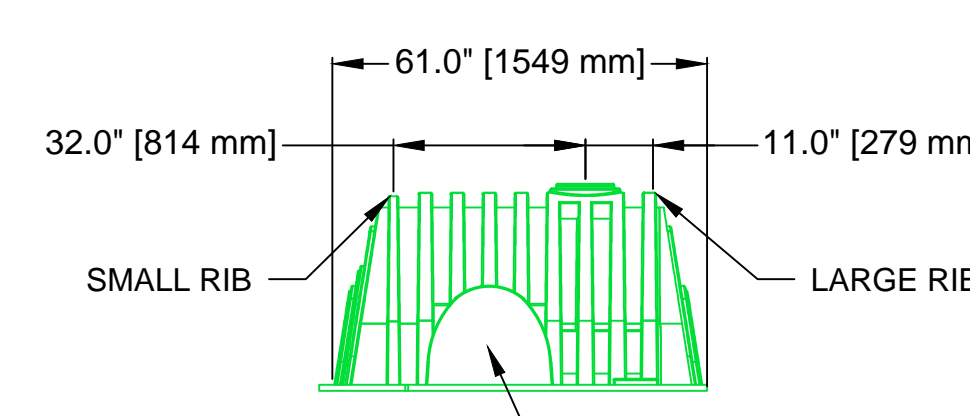
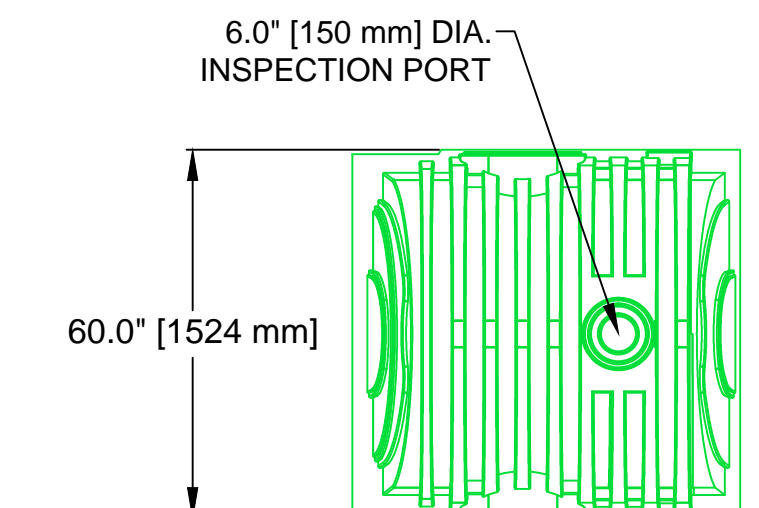
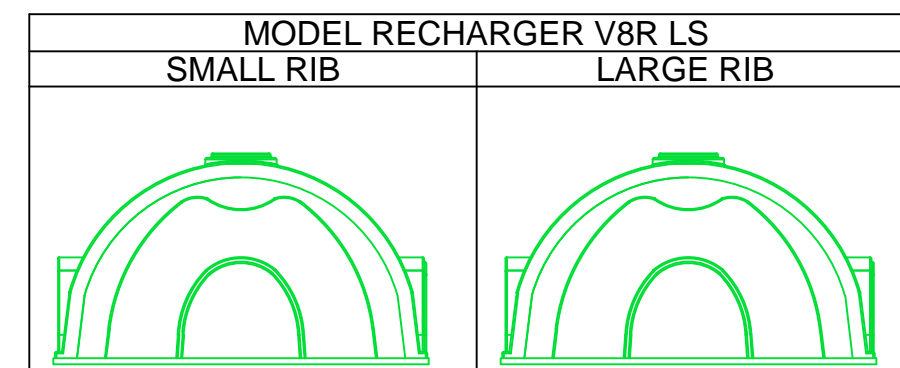
1. THE CHAMBERS WILL BE MANUFACTURED BY CULTEC, INC. OF BROOKFIELD, CT. (203-775-4416 OR 1-800-428-5832).
2. THE CHAMBER WILL BE VACUUM THERMOFORMED OF GREEN POLYETHYLENE.
3. THE CHAMBER WILL BE OPEN-BOTTOMED.
4. THE CHAMBER WILL BE OPEN-BOTTOMED.
5. THE NOMINAL CHAMBER DIMENSIONS OF THE CULTEC RECHARGER® V8R LS SHALL BE 32 INCHES (813MM) TALL, 60 INCHES (1524 MM) WIDE AND 5.08 FEET (1.55 M) LONG.
6. MAXIMUM INLET OPENING ON THE CHAMBER ENDWALL IS 24 INCHES (600 MM).
7. THE CHAMBER WILL HAVE TWO SIDE PORTALS TO ACCEPT CULTEC HVLV® F-110X4 FEED CONNECTORS TO CREATE AN INTERNAL MANIFOLD, IF REQUIRED. THE NOMINAL I.D. DIMENSIONS OF EACH SIDE PORTAL WILL BE 15 INCHES (381 MM) HIGH BY 18.5 INCHES (470 MM) WIDE. MAXIMUM ALLOWABLE O.D. IN THE SIDE PORTAL IS 15.3 INCHES (387 MM).
8. THE NOMINAL CHAMBER DIMENSIONS OF THE CULTEC HVLV® F-110X4 FEED CONNECTOR SHALL BE 18 INCHES (457 MM) TALL, 27.5 INCHES (699 MM) WIDE AND 39 INCHES (991 MM) LONG.
9. THE NOMINAL STORAGE VOLUME OF THE CULTEC RECHARGER® V8R LS CHAMBER WILL BE 8.68 FT<sup>3</sup> / FT (0.81 M<sup>3</sup> / M) - WITHOUT STONE.
10. THE NOMINAL STORAGE VOLUME OF THE HVLV® F-110X4 FEED CONNECTOR WILL BE 1.968 FT<sup>3</sup> / FT (0.183 M<sup>3</sup> / M) - WITHOUT STONE.
11. THE CULTEC RECHARGER® V8R LS CHAMBER WILL HAVE DISCHARGE HOLES BORED INTO THE SIDEWALLS OF THE UNIT'S CORE TO PROMOTE LATERAL CONVEYANCE OF WATER.
12. THE CULTEC RECHARGER® V8R LS CHAMBER SHALL HAVE 9 CORRUGATIONS.
13. THE CULTEC RECHARGER® V8R LS STAND ALONE UNIT MUST BE FORMED AS A WHOLE CHAMBER HAVING TWO FULLY FORMED INTEGRAL END WALLS AND HAVING NO SEPARATE END PLATES OR SEPARATE END WALLS.
14. THE HVLV® F-110X4 FEED CONNECTOR MUST BE FORMED AS A WHOLE CHAMBER HAVING TWO OPEN END WALLS AND HAVING NO SEPARATE END PLATES OR SEPARATE END WALLS. THE UNIT WILL FIT INTO THE SIDE PORTALS OF THE RECHARGER® V8R LS AND ACT AS CROSS FEED CONNECTIONS. IF REQUIRED.
15. THE CHAMBER WILL HAVE A RAISED INTEGRAL CAP AT THE TOP OF THE ARCH IN THE CENTER OF EACH UNIT TO BE USED AS AN OPTIONAL INSPECTION PORT OR CLEAN-OUT.
16. THE CHAMBER SHALL BE MANUFACTURED IN AN ISO 9001:2008 CERTIFIED FACILITY.
17. THE CHAMBER SHALL BE USED FOR NON-TRAFFIC APPLICATIONS ONLY.
18. MAXIMUM ALLOWABLE COVER OVER THE TOP OF THE CHAMBER SHALL BE 4' (1.22 M).

**CULTEC HVLV FC-24 FEED CONNECTOR PRODUCT SPECIFICATIONS**

**GENERAL**  
 CULTEC HVLV FC-24 FEED CONNECTORS ARE DESIGNED TO CREATE AN INTERNAL MANIFOLD FOR CULTEC RECHARGER MODEL 330XLHD STORMWATER CHAMBERS.

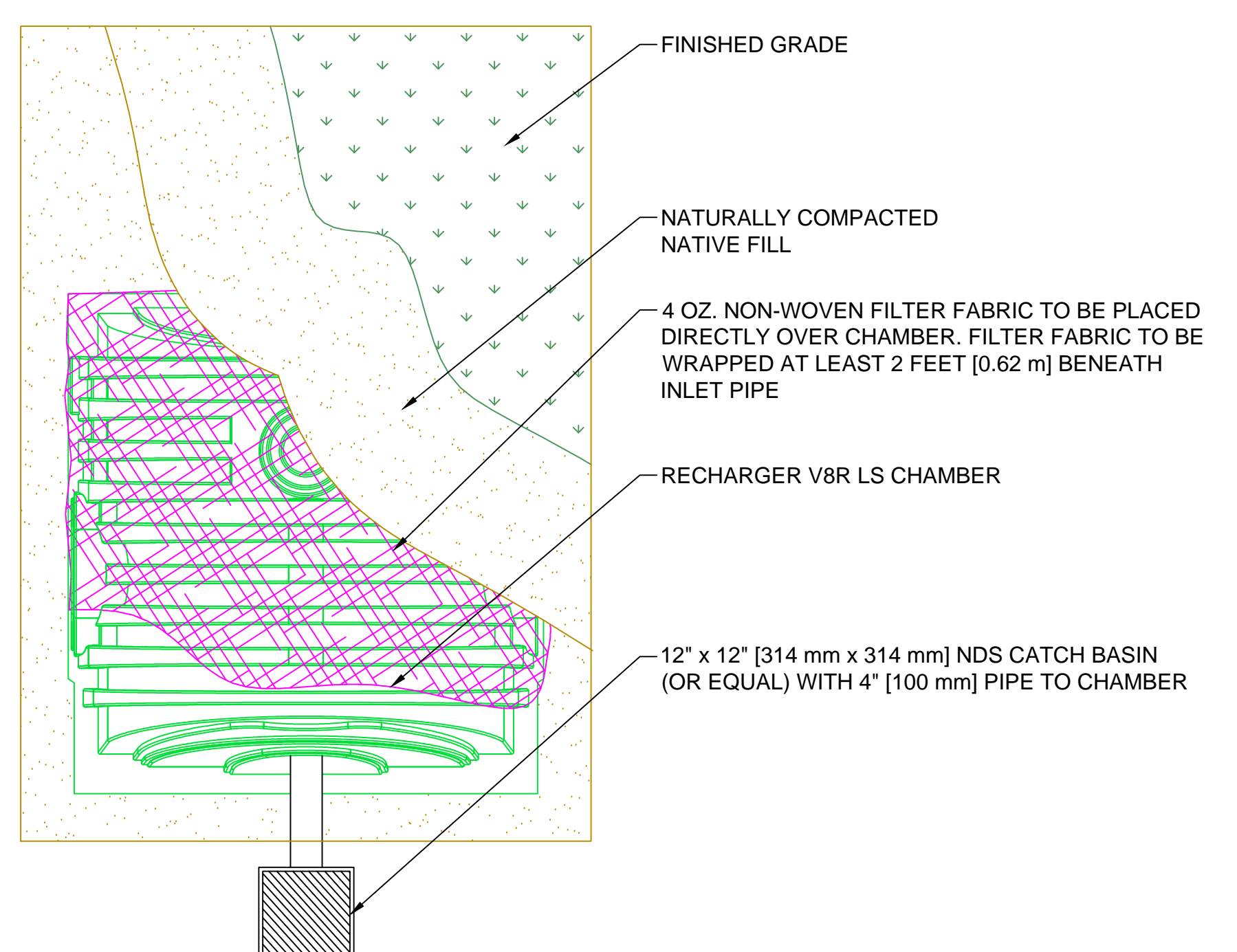
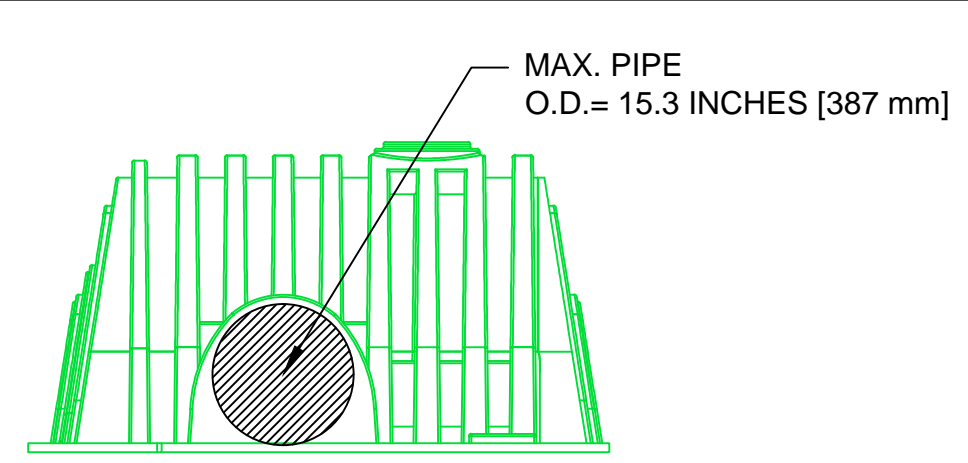
**CHAMBER PARAMETERS**

1. THE CHAMBERS WILL BE MANUFACTURED BY CULTEC, INC. OF BROOKFIELD, CT. (203-775-4416 OR 1-800-428-5832).
2. THE CHAMBER WILL BE VACUUM THERMOFORMED OF BLACK HIGH MOLECULAR WEIGHT HIGH DENSITY POLYETHYLENE (HMWHDPE).
3. THE CHAMBER WILL BE ARCHED IN SHAPE.
4. THE CHAMBER WILL BE OPEN-BOTTOMED.
5. THE NOMINAL CHAMBER DIMENSIONS OF THE CULTEC HVLV FC-24 FEED CONNECTOR SHALL BE 12 INCHES (305 mm) TALL, 16 INCHES (406 mm) WIDE AND 24.2 INCHES (614 mm) LONG.
6. THE NOMINAL STORAGE VOLUME OF THE HVLV FC-24 FEED CONNECTOR WILL BE 0.913 FT<sup>3</sup> / FT (0.085 m<sup>3</sup> / m) - WITHOUT STONE.
7. THE HVLV FC-24 FEED CONNECTOR CHAMBER SHALL HAVE 2 CORRUGATIONS.
8. THE HVLV FC-24 FEED CONNECTOR MUST BE FORMED AS A WHOLE CHAMBER HAVING TWO OPEN END WALLS AND HAVING NO SEPARATE END PLATES OR SEPARATE END WALLS. THE UNIT WILL FIT INTO THE SIDE PORTALS OF THE CULTEC RECHARGER STORMWATER CHAMBER AND ACT AS CROSS FEED CONNECTIONS CREATING AN INTERNAL MANIFOLD.
9. THE CHAMBER WILL BE DESIGNED TO WITHSTAND TRAFFIC LOADS WHEN INSTALLED ACCORDING TO CULTEC'S RECOMMENDED INSTALLATION INSTRUCTIONS.
10. THE CHAMBER SHALL BE MANUFACTURED IN AN ISO 9001:2008 CERTIFIED FACILITY.



SIDE PORTAL FOR OPTIONAL INTERNAL MANIFOLD (ACCOMMODATES CULTEC HVLV F-110 FEED CONNECTOR OR 15.3 INCH [387 mm] MAX. O.D. PIPE)

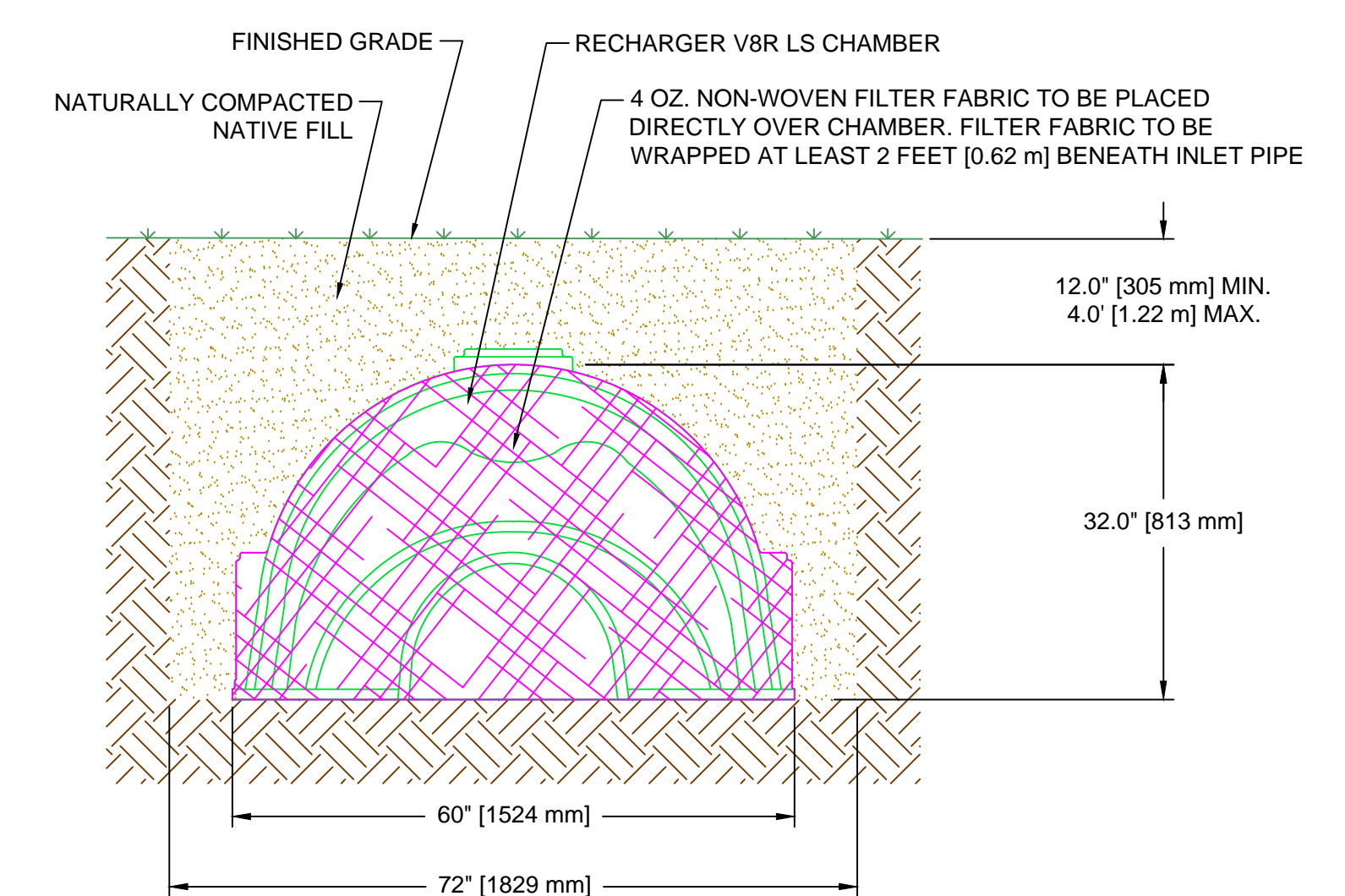
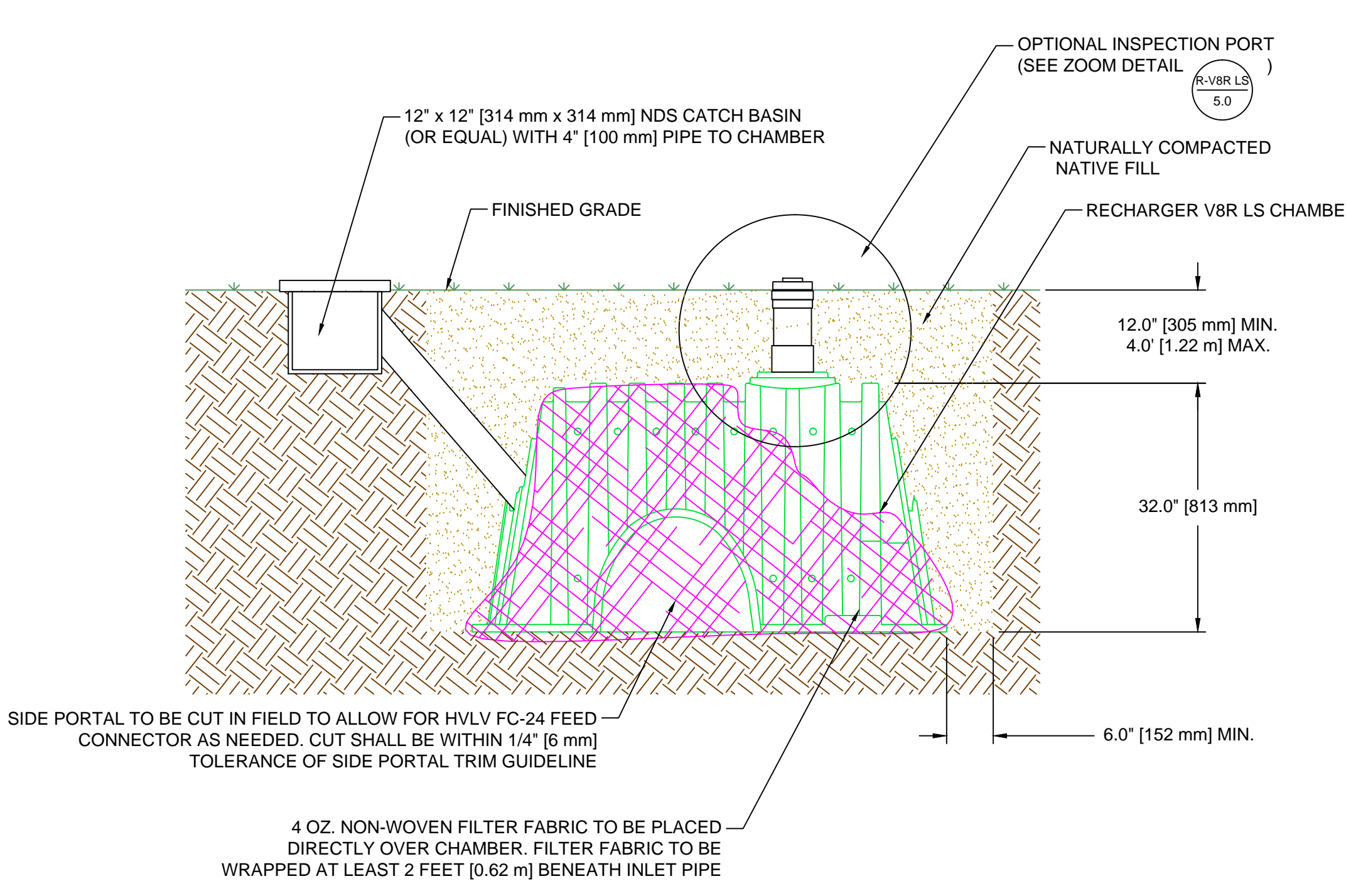
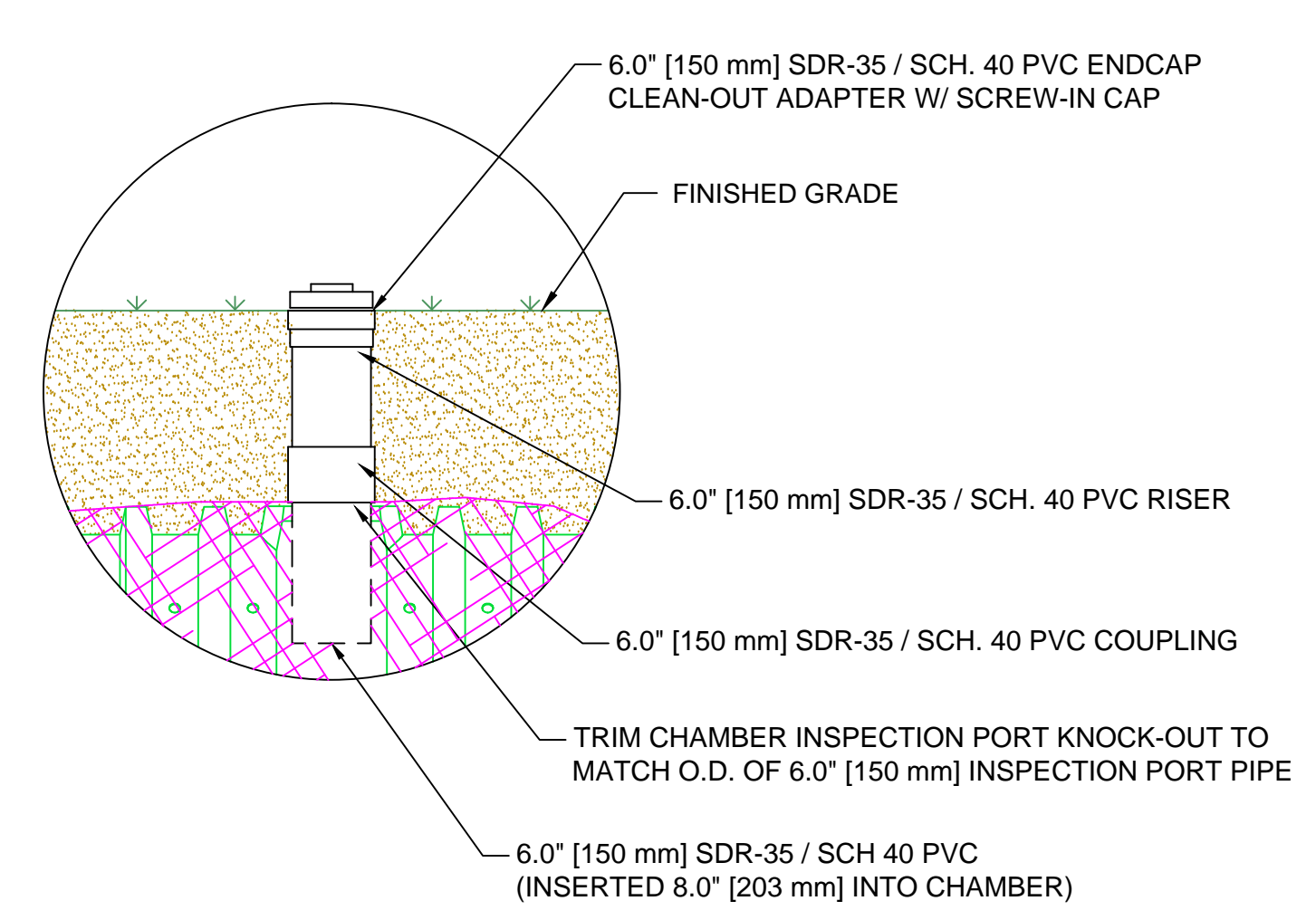
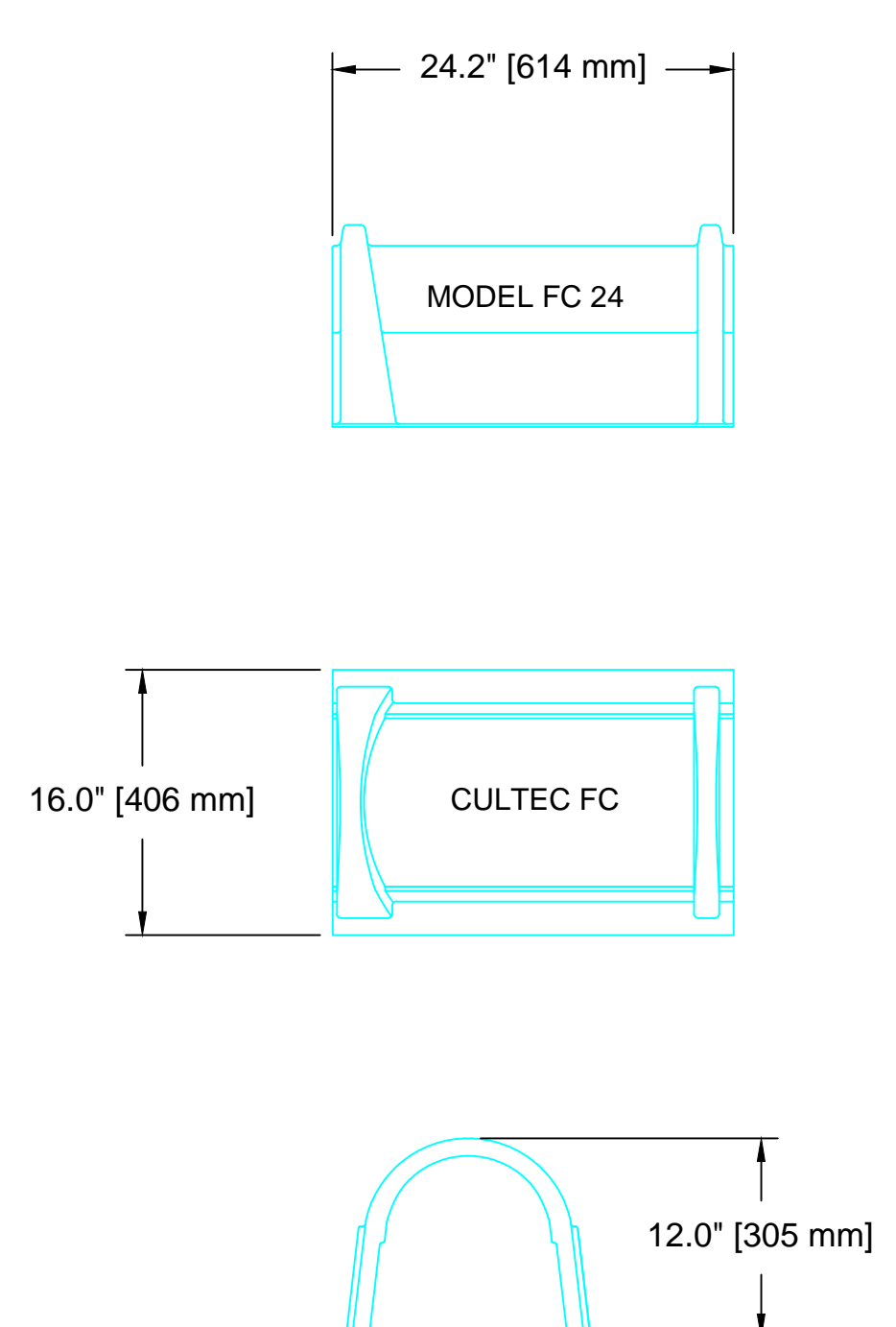
CULTEC RECHARGER V8R LS BARE CHAMBER STORAGE = 8.93 CF/FT [0.806 m3/m] THE LANDSCAPER SERIES IS NOT TO BE USED IN TRAFFIC AREAS. THE CHAMBERS ARE FOR USE IN NON-TRAFFIC APPLICATIONS ONLY.



**GENERAL NOTES**

**CULTEC RECHARGER V8R LS LANDSCAPER SERIES THREE VIEW**

**CULTEC RECHARGER V8R LS LANDSCAPER SERIES PLAN VIEW**



**CULTEC HVLV FC-24 FEED CONNECTOR THREE VIEW**

**OPTIONAL INSPECTION PORT- ZOOM DETAIL**

**CULTEC RECHARGER V8R LS LANDSCAPER SERIES CROSS SECTION**

**CULTEC, Inc.**  
 Subsurface Stormwater Management Systems  
 P.O. Box 280  
 878 Federal Road  
 Brookfield, CT 06804  
 www.cultec.com  
 PH: (203) 775-4416  
 PH: (800) 4-CULTEC  
 FX: (203) 775-1462  
 tech@cultec.com

THIS DRAWING WAS PREPARED TO SUPPORT THE DESIGN ENGINEER FOR THE PROPOSED SYSTEM. IT IS THE ULTIMATE RESPONSIBILITY OF THE DESIGN ENGINEER TO ASSURE THAT THE STORMWATER SYSTEM'S DESIGN IS IN FULL COMPLIANCE WITH ALL APPLICABLE LAWS AND REGULATIONS. IT IS THE DESIGN ENGINEER'S RESPONSIBILITY TO ENSURE THAT THE CULTEC PRODUCTS ARE DESIGNED IN ACCORDANCE WITH CULTEC'S MINIMUM REQUIREMENTS. CULTEC INC. DOES NOT APPROVE PLANS, SIZING, OR SYSTEM DESIGNS. THE DESIGNING ENGINEER IS RESPONSIBLE FOR ALL DESIGN DECISIONS.

RECHARGER V8R LS LANDSCAPER SERIES  
 DETAIL SHEET  
 INSTALLATION WITHOUT STONE

RECHARGER V8R LS LANDSCAPER SERIES	
PROJECT NO: -	DATE: 02/2015
DESIGNED BY: CULTEC, INC	DRAWN BY: TECH
SCALE: N.T.S.	SHEET NO: 1 OF 2

**CULTEC RECHARGER® V8R LS LANDSCAPER SERIES® SPECIFICATIONS**

**GENERAL**  
 CULTEC RECHARGER® V8R LS CHAMBERS ARE DESIGNED FOR UNDERGROUND STORMWATER MANAGEMENT. THE CHAMBERS MAY BE USED FOR RETENTION, RECHARGING, DETENTION OR CONTROLLING THE FLOW OF ON-SITE STORMWATER RUNOFF IN NON-TRAFFIC AREAS.

**CHAMBER PARAMETERS**

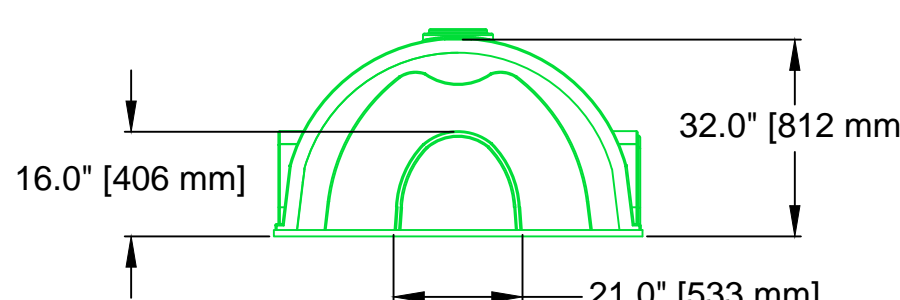
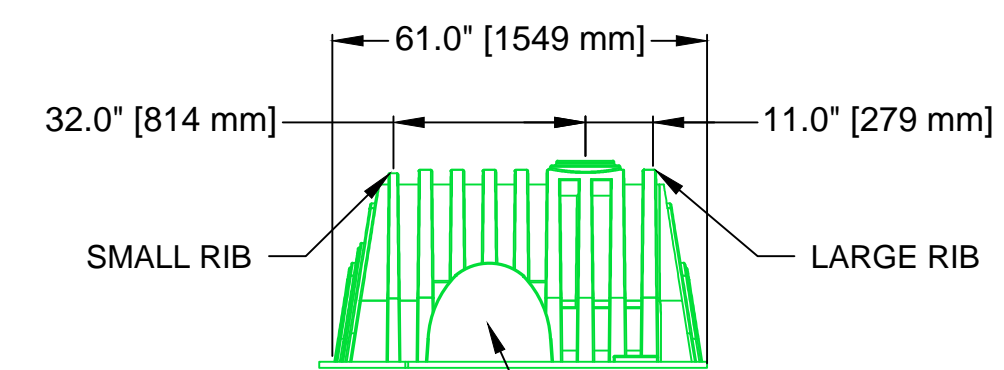
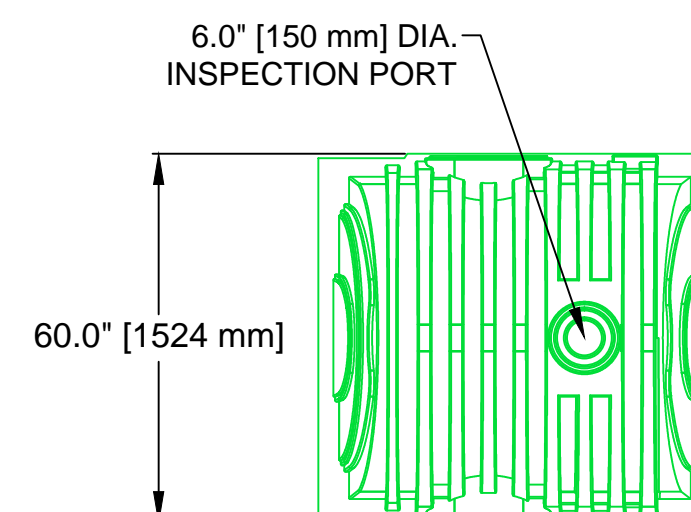
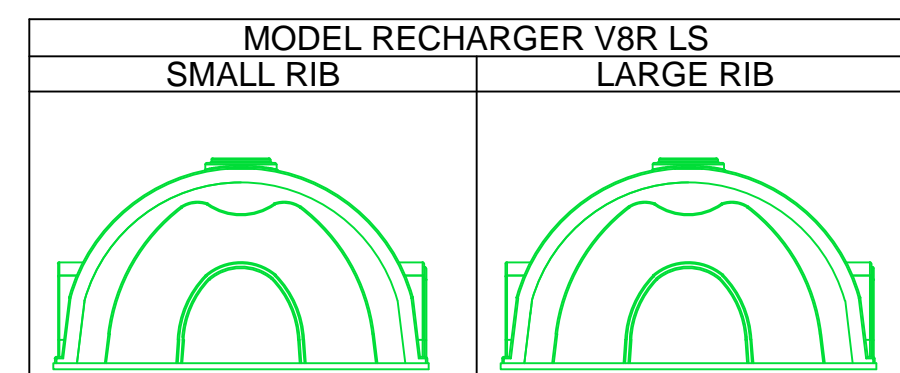
1. THE CHAMBERS WILL BE MANUFACTURED BY CULTEC, INC. OF BROOKFIELD, CT (203-775-4416 OR 1-800-428-5832).
2. THE CHAMBER WILL BE VACUUM THERMOFORMED OF GREEN POLYETHYLENE.
3. THE CHAMBER WILL BE ARCHED IN SHAPE.
4. THE CHAMBER WILL BE OPEN-BOTTOMED.
5. THE NOMINAL CHAMBER DIMENSIONS OF THE CULTEC RECHARGER® V8R LS SHALL BE 32 INCHES (813MM) TALL, 60 INCHES (1524 MM) WIDE AND 5.08 FEET (1.55 M) LONG.
6. MAXIMUM INLET OPENING ON THE CHAMBER ENDWALL IS 24 INCHES (600 MM).
7. THE CHAMBER WILL HAVE TWO SIDE PORTALS TO ACCEPT CULTEC HVLV® F-110X4 FEED CONNECTORS TO CREATE AN INTERNAL MANIFOLD, IF REQUIRED. THE NOMINAL I.D. DIMENSIONS OF EACH SIDE PORTAL WILL BE 15 INCHES (381 MM) HIGH BY 18.5 INCHES (470 MM) WIDE. MAXIMUM ALLOWABLE O.D. IN THE SIDE PORTAL IS 15.3 INCHES (387 MM).
8. THE NOMINAL CHAMBER DIMENSIONS OF THE CULTEC HVLV® F-110X4 FEED CONNECTOR SHALL BE 18 INCHES (457 MM) TALL, 27.5 INCHES (699 MM) WIDE AND 39 INCHES (991 MM) LONG.
9. THE NOMINAL STORAGE VOLUME OF THE CULTEC RECHARGER® V8R LS CHAMBER WILL BE 8.68 FT<sup>3</sup> / FT (0.81 M<sup>3</sup> / M) - WITHOUT STONE.
10. THE NOMINAL STORAGE VOLUME OF THE HVLV® F-110X4 FEED CONNECTOR WILL BE 1.968 FT<sup>3</sup> / FT (0.183 M<sup>3</sup> / M) - WITHOUT STONE.
11. THE CULTEC RECHARGER® V8R LS CHAMBER WILL HAVE DISCHARGE HOLES BORED INTO THE SIDEWALLS OF THE UNIT'S CORE TO PROMOTE LATERAL CONVEYANCE OF WATER.
12. THE CULTEC RECHARGER® V8R LS CHAMBER SHALL HAVE 9 CORRUGATIONS.
13. THE CULTEC RECHARGER® V8R LS STAND ALONE UNIT MUST BE FORMED AS A WHOLE CHAMBER HAVING TWO FULLY FORMED INTEGRAL END WALLS AND HAVING NO SEPARATE END PLATES OR SEPARATE END WALLS.
14. THE HVLV® F-110X4 FEED CONNECTOR MUST BE FORMED AS A WHOLE CHAMBER HAVING TWO OPEN END WALLS AND HAVING NO SEPARATE END PLATES OR SEPARATE END WALLS. THE UNIT WILL FIT INTO THE SIDE PORTALS OF THE RECHARGER® V8R LS AND ACT AS CROSS FEED CONNECTIONS, IF REQUIRED.
15. THE CHAMBER WILL HAVE A RAISED INTEGRAL CAP AT THE TOP OF THE ARCH IN THE CENTER OF EACH UNIT TO BE USED AS AN OPTIONAL INSPECTION PORT OR CLEAN-OUT.
16. THE CHAMBER SHALL BE MANUFACTURED IN AN ISO 9001:2008 CERTIFIED FACILITY.
17. THE CHAMBER SHALL BE USED FOR NON-TRAFFIC APPLICATIONS ONLY.
18. MAXIMUM ALLOWABLE COVER OVER THE TOP OF THE CHAMBER SHALL BE 4' (1.22 M).

**CULTEC HVLV FC-24 FEED CONNECTOR PRODUCT SPECIFICATIONS**

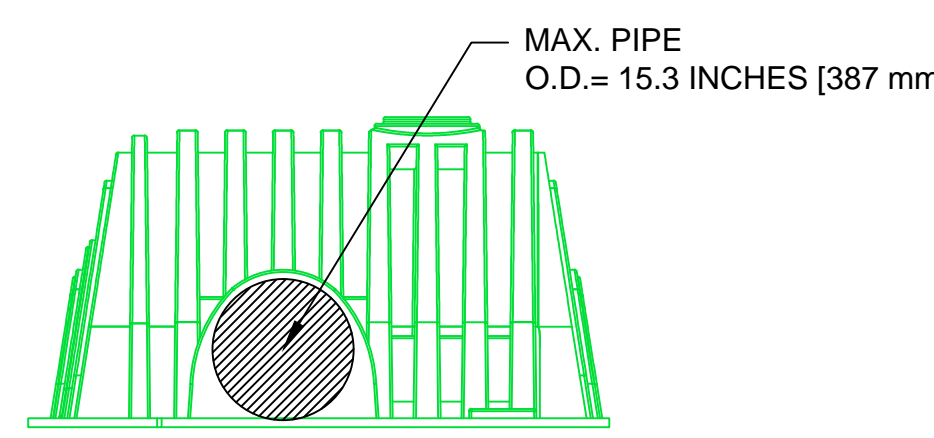
**GENERAL**  
 CULTEC HVLV FC-24 FEED CONNECTORS ARE DESIGNED TO CREATE AN INTERNAL MANIFOLD FOR CULTEC RECHARGER MODEL 330XLHD STORMWATER CHAMBERS.

**CHAMBER PARAMETERS**

1. THE CHAMBERS WILL BE MANUFACTURED BY CULTEC, INC. OF BROOKFIELD, CT. (203-775-4416 OR 1-800-428-5832)
2. THE CHAMBER WILL BE VACUUM THERMOFORMED OF BLACK HIGH MOLECULAR WEIGHT HIGH DENSITY POLYETHYLENE (HMWHDPE).
3. THE CHAMBER WILL BE ARCHED IN SHAPE.
4. THE CHAMBER WILL BE OPEN-BOTTOMED.
5. THE NOMINAL CHAMBER DIMENSIONS OF THE CULTEC HVLV FC-24 FEED CONNECTOR SHALL BE 12 INCHES (305 mm) TALL, 16 INCHES (406 mm) WIDE AND 24.2 INCHES (614 mm) LONG.
6. THE NOMINAL STORAGE VOLUME OF THE HVLV FC-24 FEED CONNECTOR WILL BE 0.913 FT<sup>3</sup> / FT (0.085 m<sup>3</sup> / m) - WITHOUT STONE.
7. THE HVLV FC-24 FEED CONNECTOR CHAMBER SHALL HAVE 2 CORRUGATIONS.
8. THE HVLV FC-24 FEED CONNECTOR MUST BE FORMED AS A WHOLE CHAMBER HAVING TWO OPEN END WALLS AND HAVING NO SEPARATE END PLATES OR SEPARATE END WALLS. THE UNIT WILL FIT INTO THE SIDE PORTALS OF THE CULTEC RECHARGER STORMWATER CHAMBER AND ACT AS CROSS FEED CONNECTIONS CREATING AN INTERNAL MANIFOLD.
9. THE CHAMBER WILL BE DESIGNED TO WITHSTAND TRAFFIC LOADS WHEN INSTALLED ACCORDING TO CULTEC'S RECOMMENDED INSTALLATION INSTRUCTIONS.
10. THE CHAMBER SHALL BE MANUFACTURED IN AN ISO 9001:2008 CERTIFIED FACILITY.

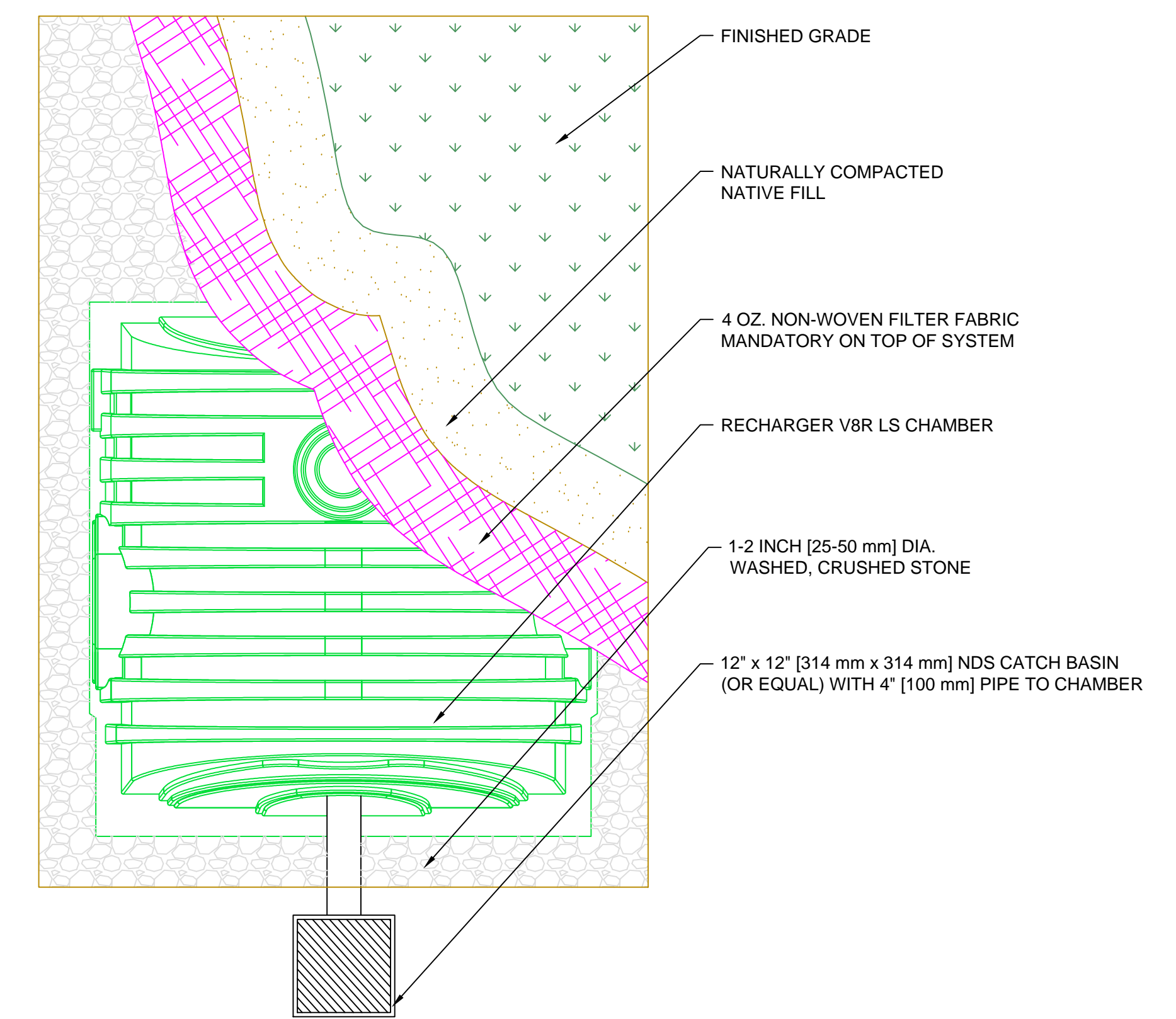


SIDE PORTAL FOR OPTIONAL INTERNAL MANIFOLD (ACCOMMODATES CULTEC HVLV F-110 FEED CONNECTOR OR 15.3 INCH [387 mm] MAX. O.D. PIPE)



ZOOM OF SIDE PORTAL SHOWING MAX. PIPE O.D.

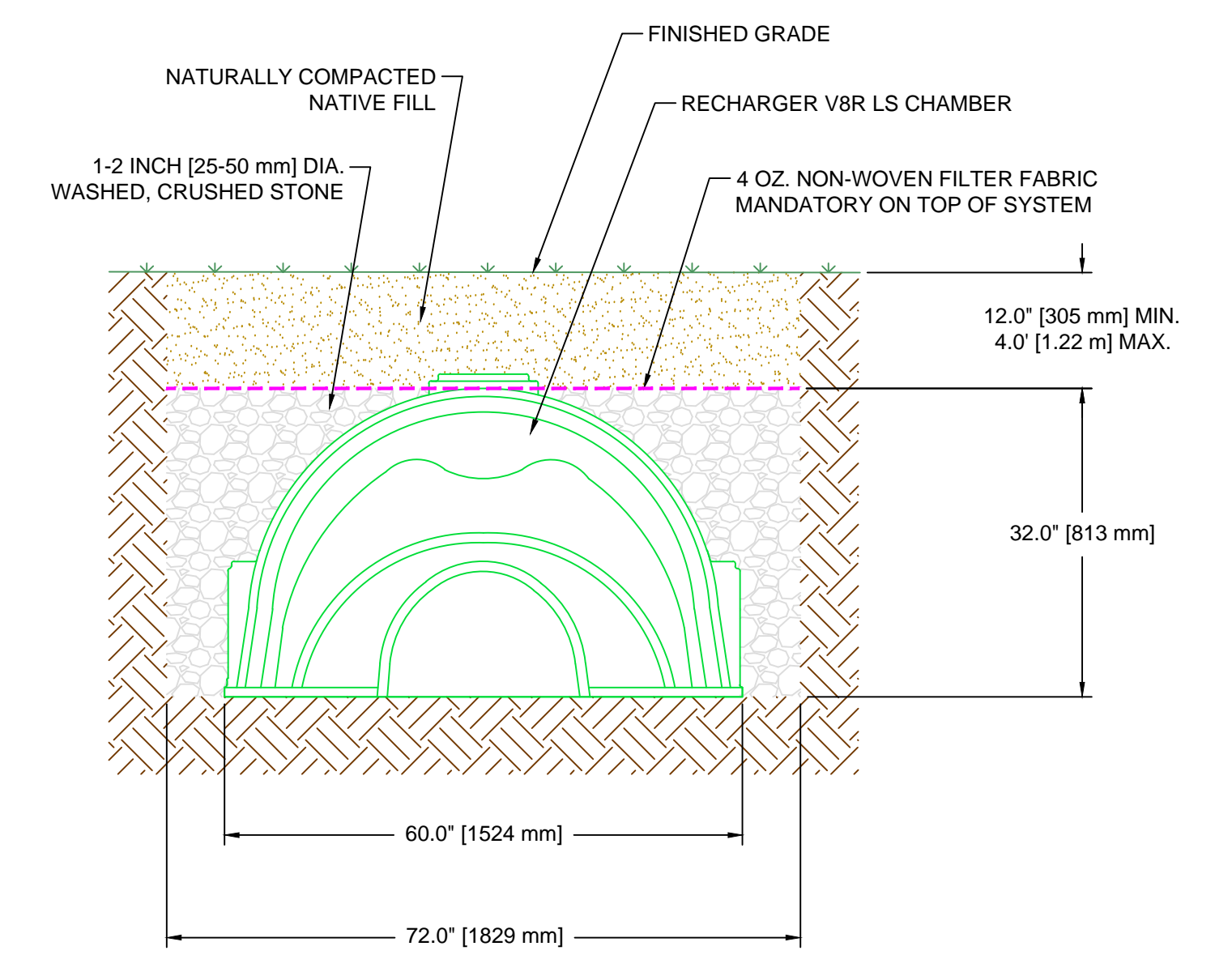
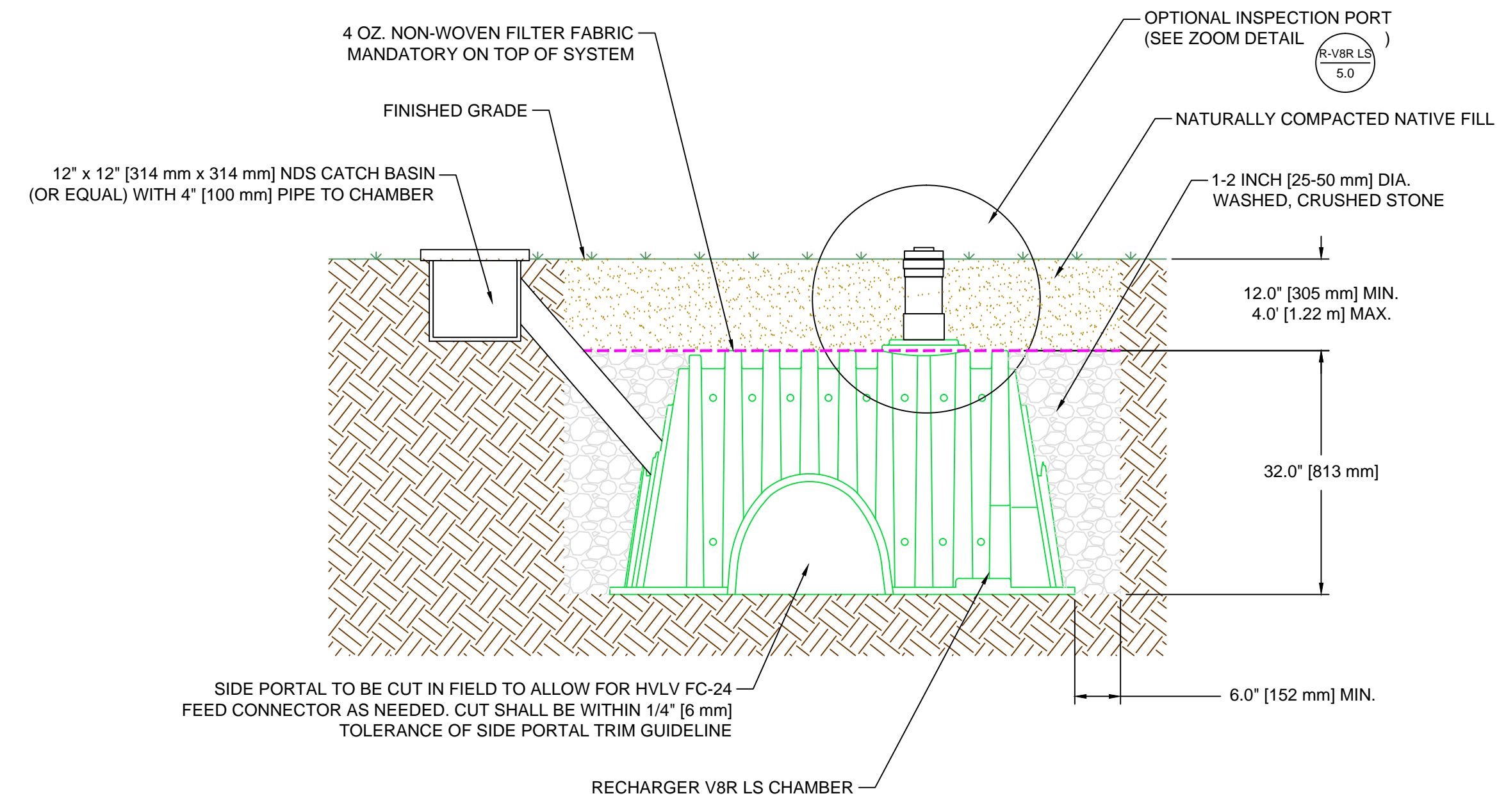
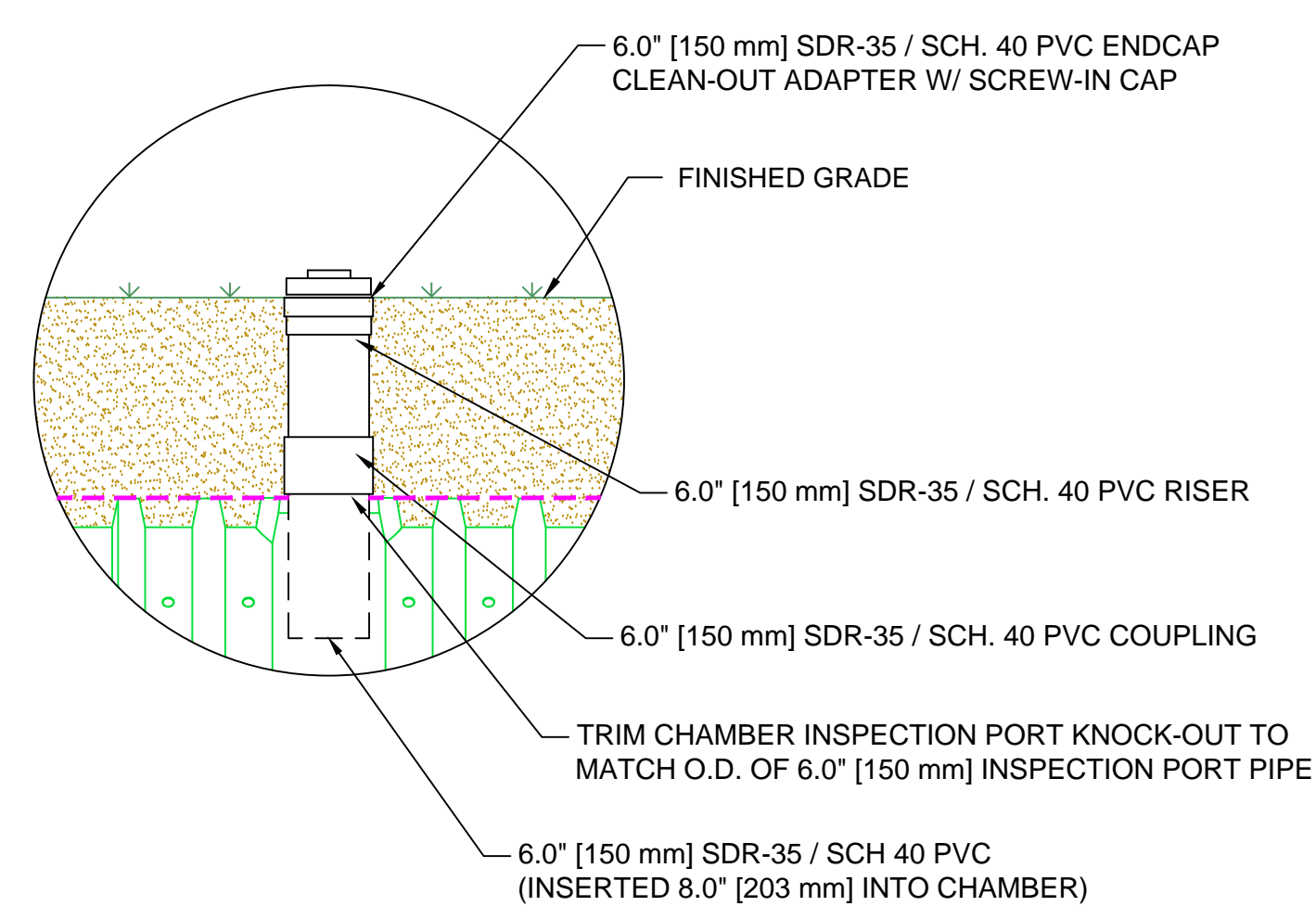
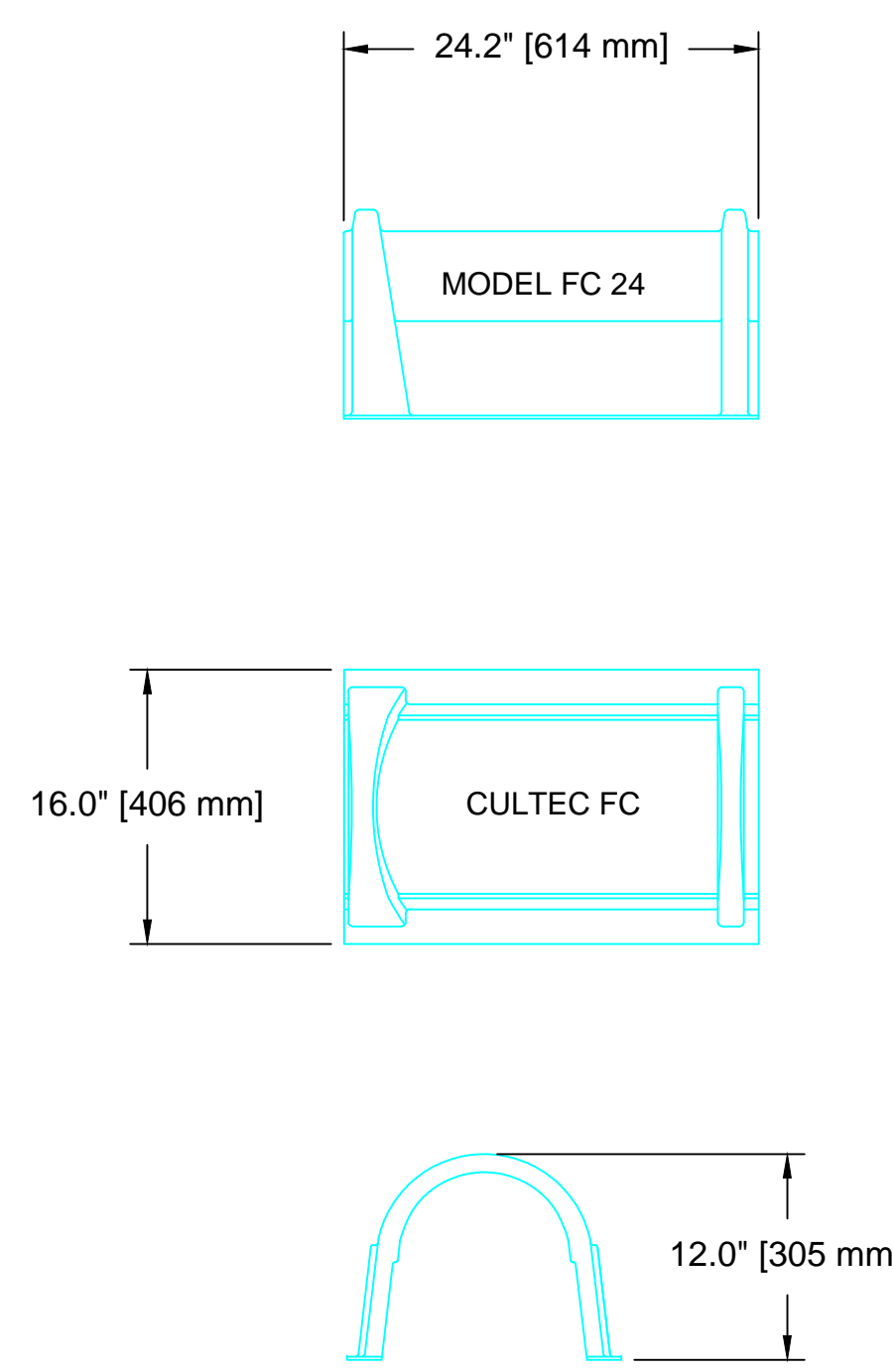
CULTEC RECHARGER V8R LS BARE CHAMBER STORAGE = 8.93 CF/FT [0.806 m<sup>3</sup>/m]  
 THE LANDSCAPER SERIES IS NOT TO BE USED IN TRAFFIC AREAS. THE CHAMBERS ARE FOR USE IN NON-TRAFFIC APPLICATIONS ONLY.



**GENERAL NOTES**

**CULTEC RECHARGER V8R LS LANDSCAPER SERIES THREE VIEW**

**CULTEC RECHARGER V8R LS LANDSCAPER SERIES PLAN VIEW**



**CULTEC HVLV FC-24 FEED CONNECTOR THREE VIEW**

**OPTIONAL INSPECTION PORT- ZOOM DETAIL**

**CULTEC RECHARGER V8R LS LANDSCAPER SERIES CROSS SECTION**

**CULTEC, Inc.**  
 Subsurface Stormwater Management Systems  
 P.O. Box 280  
 878 Federal Road  
 Brookfield, CT 06804  
 www.cultec.com  
 PH: (203) 775-4416  
 PH: (800) 4-CULTEC  
 FX: (203) 775-1462  
 tech@cultec.com

THIS DRAWING WAS PREPARED TO SUPPORT THE DESIGN ENGINEER FOR THE PROPOSED SYSTEM. IT IS THE ULTIMATE RESPONSIBILITY OF THE DESIGN ENGINEER TO ASSURE THAT THE STORMWATER SYSTEM'S DESIGN IS IN FULL COMPLIANCE WITH ALL APPLICABLE LAWS AND REGULATIONS. IT IS THE DESIGN ENGINEER'S RESPONSIBILITY TO ENSURE THAT THE CULTEC PRODUCTS ARE DESIGNED IN ACCORDANCE WITH CULTEC'S MINIMUM REQUIREMENTS. CULTEC INC. DOES NOT APPROVE PLANS, SIZING, OR SYSTEM DESIGNS. THE DESIGNING ENGINEER IS RESPONSIBLE FOR ALL DESIGN DECISIONS.

**RECHARGER V8R LS LANDSCAPER SERIES**  
 DETAIL SHEET  
 INSTALLATION WITH STONE

RECHARGER V8R LS LANDSCAPER SERIES	
PROJECT NO: -	DATE: 02/2015
DESIGNED BY: CULTEC, INC	DRAWN BY: TECH
SCALE: N.T.S.	SHEET NO: 2 OF 2