



CULTEC HVLV® F-110x4 Feed Connector

HVLV® F-110x4 Feed Connectors may be used to create an internal manifold by inserting them into the side portals of the CULTEC stormwater chamber. The HVLV® F-110x4 Feed Connector may be used with Recharger® V8SHD Starter and V8EHD End chambers. They have a larger flow capacity than 18" (450 mm) diameter pipe.



Size (L x W x H)	39" x 27.5" x 18" 991 mm x 699 mm x 457 mm
Installed Length (exposed)	For Recharger V8HD: 6" typ. For Recharger V8HD: 152 mm typ.
Chamber Storage	1.97 ft ³ /ft 0.18 m ³ /m
Compatible Models	Recharger V8RHD, V8SHD and V8EHD

HVLV F-110x4 Feed Connector Bare Chamber Storage Volumes

Elevation		Incremental Storage Volume		Cumulative Storage	
in.	mm	ft ³ /ft	m ³ /m	ft ³ /ft	m ³ /m
18	457	0.005	0.000	1.968	0.183
17	432	0.029	0.003	1.963	0.182
16	406	0.062	0.006	1.934	0.180
15	381	0.081	0.008	1.872	0.174
14	356	0.094	0.009	1.791	0.166
13	330	0.104	0.010	1.697	0.158
12	305	0.112	0.010	1.593	0.148
11	279	0.118	0.011	1.481	0.138
10	254	0.123	0.011	1.363	0.127
9	229	0.126	0.012	1.240	0.115
8	203	0.129	0.012	1.114	0.103
7	178	0.131	0.012	0.985	0.092
6	152	0.133	0.012	0.854	0.079
5	127	0.134	0.012	0.721	0.067
4	102	0.136	0.013	0.587	0.055
3	76	0.138	0.013	0.451	0.042
2	51	0.140	0.013	0.313	0.029
1	25	0.173	0.016	0.173	0.016
Total		1.968	0.183	1.968	0.183



Shown: CULTEC HVLV F-110x4 Feed Connector inserted into side portals of CULTEC chamber.

Calculations are based on ft³/ft (m³/m).
Multiply by the installed length (exposed) to calculate storage per unit.

Scan for
HVLV
F-110x4
downloads

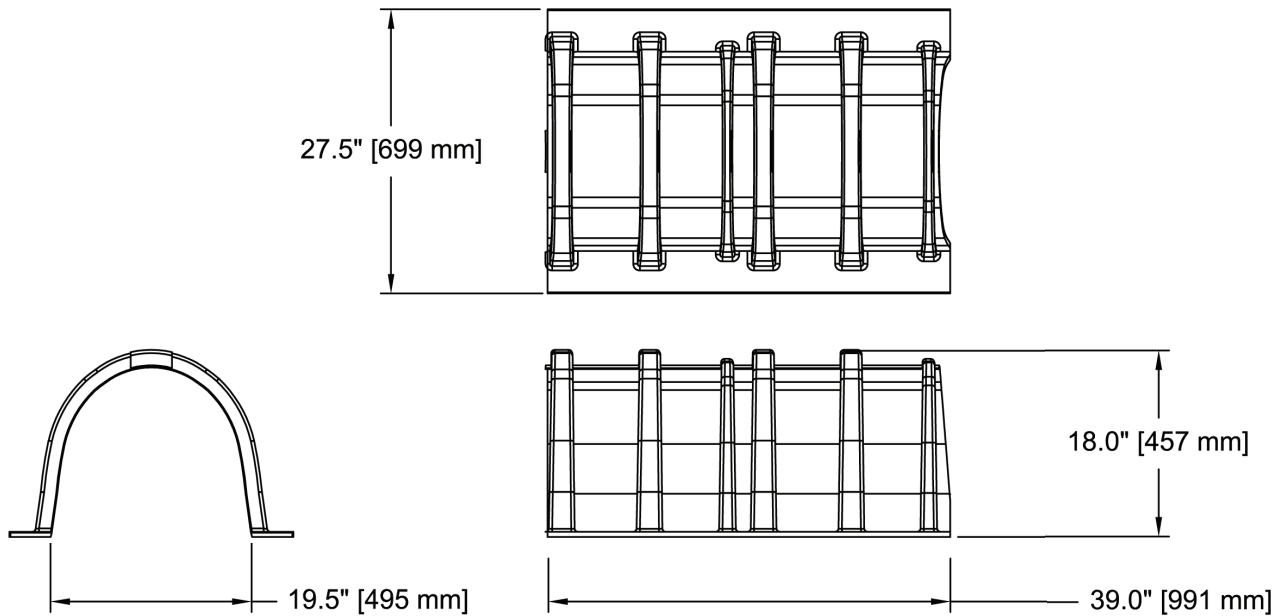


For more information, contact CULTEC at (203) 775-4416 or visit www.cultec.com.



CULTEC HVLV[®] F-110x4 Feed Connector

Three View Drawing



CULTEC HVLV[®] F-110x4 Feed Connector Specifications

GENERAL

CULTEC HVLV[®] F-110x4 Feed Connectors are designed to create an internal manifold for CULTEC Recharger V8HD stormwater chambers.

CHAMBER PARAMETERS

1. The chambers will be manufactured by CULTEC, Inc. of Brookfield, CT. (203-775-4416 or 1-800-428-5832)
2. The chamber will be vacuum thermoformed of black high molecular weight high density polyethylene (HMWHDPE).
3. The chamber will be arched in shape.
4. The chamber will be open-bottomed.
5. The nominal chamber dimensions of the CULTEC HVLV[®] F-110x4 Feed Connector shall be 18 inches (457 mm) tall, 27.5 inches (699 mm) wide and 39 inches (991 mm) long.
6. The nominal storage volume of the HVLV[®] F-110x4 Feed Connector will be 1.968 ft³ / ft (0.183 m³ / m) - without stone.
7. The HVLV[®] F-110x4 Feed Connector chamber shall have 5 corrugations.
8. The HVLV[®] F-110x4 Feed Connector must be formed as a whole chamber having two open end walls and having no separate end plates or separate end walls. The unit will fit into the side portals of the Recharger V8SHD Starter and V8EHD End stormwater chamber and act as cross feed connections creating an internal manifold.
9. The chamber shall be manufactured in an ISO 9001:2008 certified facility.