

**CULTEC HVLV 180BT LS LANDSCAPER SERIES SPECIFICATIONS**

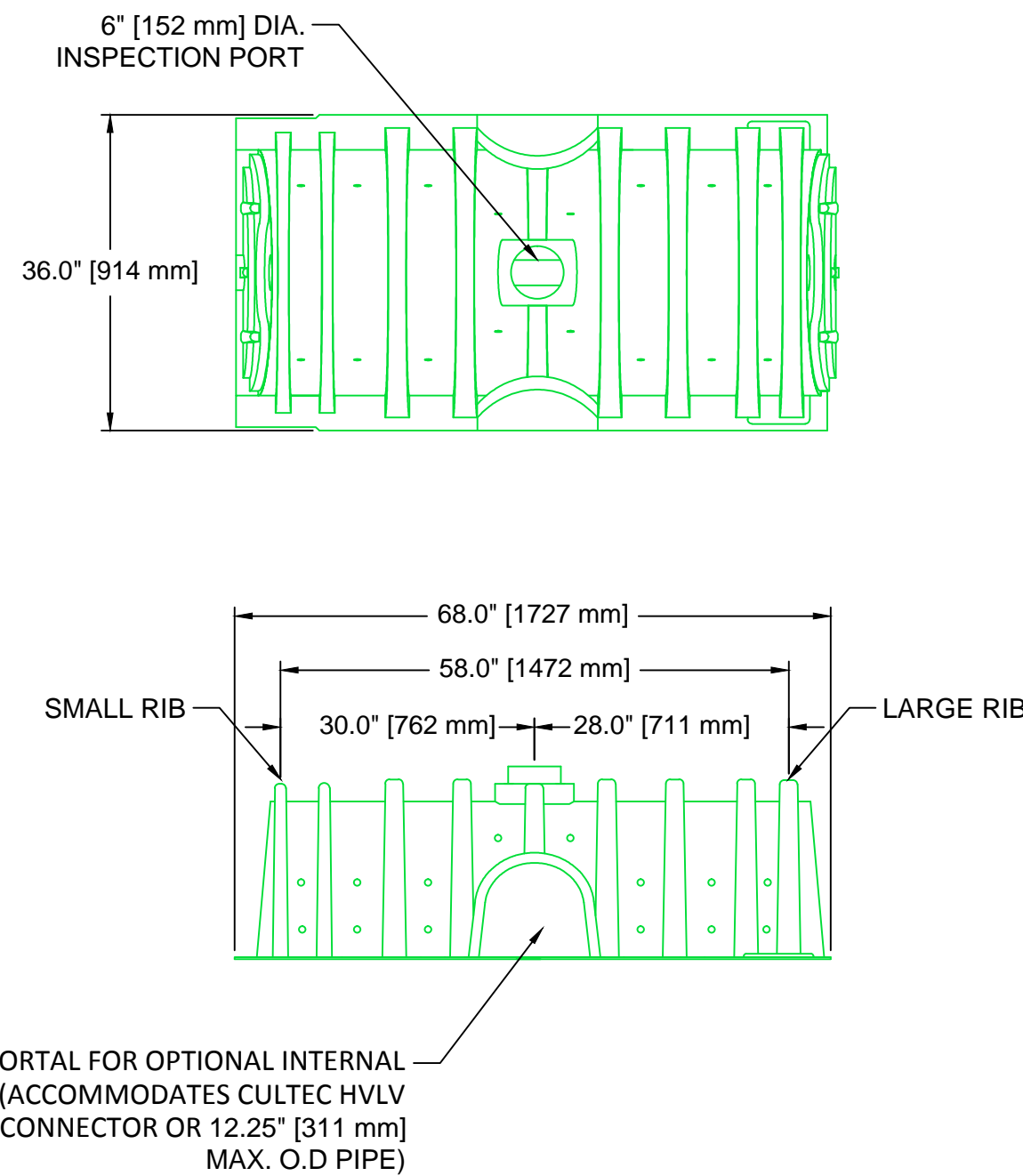
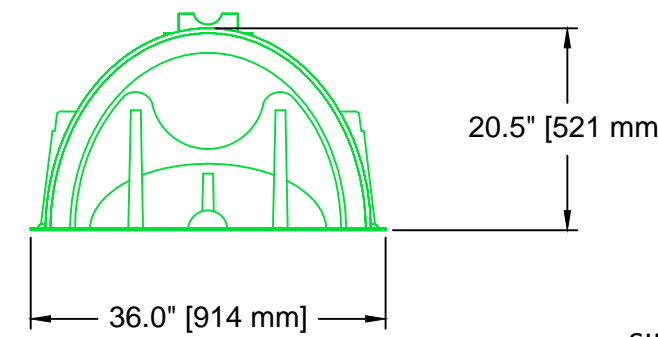
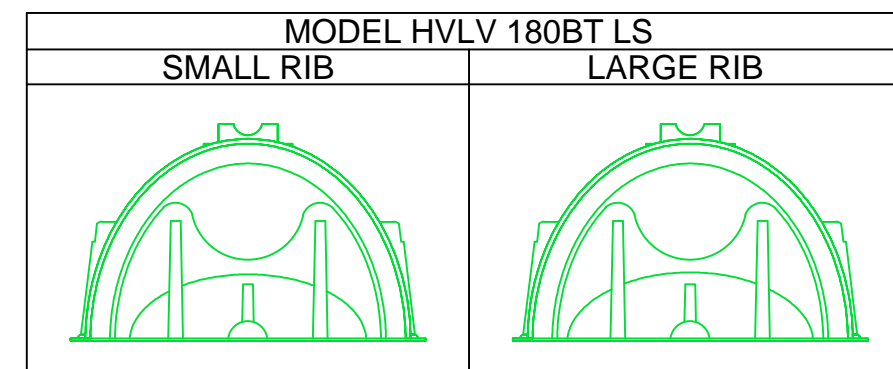
**GENERAL**  
 CULTEC HVLV® 180BT LS CHAMBERS ARE DESIGNED FOR UNDERGROUND STORMWATER MANAGEMENT. THE CHAMBERS MAY BE USED FOR RETENTION, RECHARGING, DETENTION OR CONTROLLING THE FLOW OF ON-SITE STORMWATER RUNOFF IN NON-TRAFFIC AREAS.

- CHAMBER PROPERTIES**
1. THE CHAMBERS WILL BE MANUFACTURED BY CULTEC, INC. OF BROOKFIELD, CT (203-775-4416 OR 1-800-428-5832).
  2. THE CHAMBER WILL BE VACUUM THERMOFORMED OF GREEN POLYETHYLENE.
  3. THE CHAMBER WILL BE ARCHED IN SHAPE.
  4. THE CHAMBER WILL BE OPEN-BOTTOMED.
  5. THE NOMINAL CHAMBER DIMENSIONS OF THE CULTEC HVLV® 180BT LS SHALL BE 20.5 INCHES (521MM) TALL, 36 INCHES (914 MM) WIDE AND 5.63 FEET (1.72 M) LONG.
  6. MAXIMUM INLET OPENING ON THE CHAMBER END WALL IS 15 INCHES (380 MM).
  7. THE CHAMBER WILL HAVE TWO SIDE PORTALS TO ACCEPT CULTEC HVLV® FC-24 FEED CONNECTORS TO CREATE AN INTERNAL MANIFOLD, IF REQUIRED. THE NOMINAL DIMENSIONS OF EACH SIDE PORTAL WILL BE 12 INCHES (305 MM) HIGH BY 16 INCHES (406 MM) WIDE. MAXIMUM ALLOWABLE O.D. PIPE SIZE IN THE SIDE PORTAL IS 12.25" (311 MM).
  8. THE NOMINAL CHAMBER DIMENSIONS OF THE CULTEC HVLV® FC-24 FEED CONNECTOR SHALL BE 12 INCHES (305 MM) TALL, 16 INCHES (406 MM) WIDE AND 24.2 INCHES (614 MM) LONG.
  9. THE NOMINAL STORAGE VOLUME OF THE CULTEC HVLV® 180BT LS CHAMBER WILL BE 3.445 FT<sup>3</sup> / FT (0.32 M<sup>3</sup> / M) - WITHOUT STONE.
  10. THE NOMINAL STORAGE VOLUME OF THE HVLV® FC-24 FEED CONNECTOR WILL BE 0.913 FT<sup>3</sup> / FT (0.026 M<sup>3</sup> / M) - WITHOUT STONE.
  11. THE CULTEC HVLV® 180BT LS CHAMBER WILL HAVE TWENTY-EIGHT DISCHARGE HOLES BORED INTO THE SIDEWALLS OF THE UNITS CORE TO PROMOTE LATERAL CONVEYANCE OF WATER.
  12. THE CULTEC HVLV® 180BT LS CHAMBER SHALL HAVE 9 CORRUGATIONS.
  13. THE CULTEC HVLV® 180BT LS STAND ALONE UNIT MUST BE FORMED AS A WHOLE CHAMBER HAVING TWO FULLY FORMED INTEGRAL END WALLS AND HAVING NO SEPARATE END PLATES OR SEPARATE END WALLS.
  14. THE HVLV® FC-24 FEED CONNECTOR MUST BE FORMED AS A WHOLE CHAMBER HAVING TWO OPEN END WALLS AND HAVING NO SEPARATE END PLATES OR SEPARATE END WALLS. THE UNIT WILL FIT INTO THE SIDE PORTALS OF THE CULTEC HVLV® 180BT LS AND ACT AS CROSS FEED CONNECTIONS, IF REQUIRED.
  15. THE CHAMBER WILL BE DESIGNED TO BE INSTALLED IN NON-TRAFFIC APPLICATIONS ONLY.
  16. THE CHAMBER WILL HAVE A RAISED INTEGRAL CAP AT THE TOP OF THE ARCH IN THE CENTER OF EACH UNIT TO BE USED AS AN OPTIONAL INSPECTION PORT OR CLEAN-OUT.
  17. THE CHAMBER SHALL BE MANUFACTURED IN AN ISO 9001:2008 CERTIFIED FACILITY.
  18. THE CHAMBER SHALL BE USED FOR NON-TRAFFIC APPLICATIONS ONLY.
  19. MAXIMUM ALLOWABLE COVER OVER THE TOP OF THE CHAMBER SHALL BE 4.0' (1.22 M).

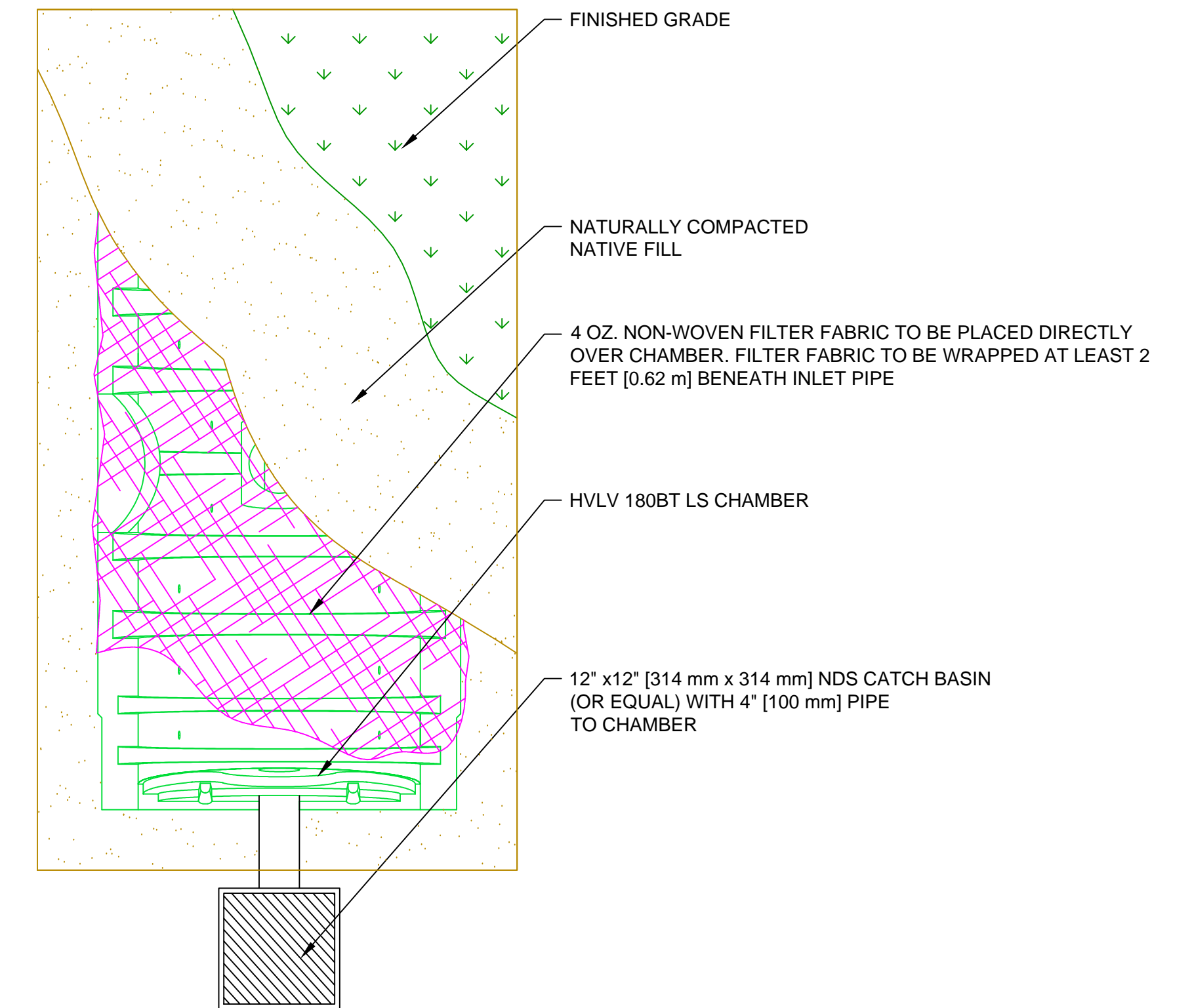
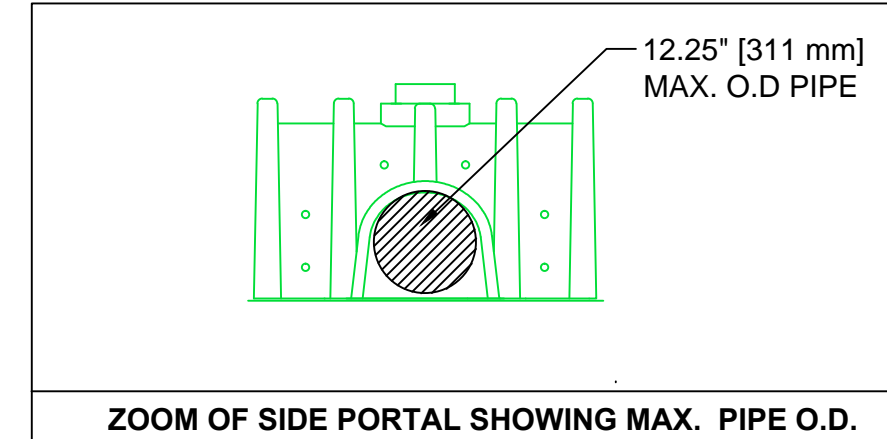
**CULTEC HVLV FC-24 FEED CONNECTOR PRODUCT SPECIFICATIONS**

**GENERAL**  
 CULTEC HVLV FC-24 FEED CONNECTORS ARE DESIGNED TO CREATE AN INTERNAL MANIFOLD FOR CULTEC RECHARGER MODEL 330XLHD STORMWATER CHAMBERS.

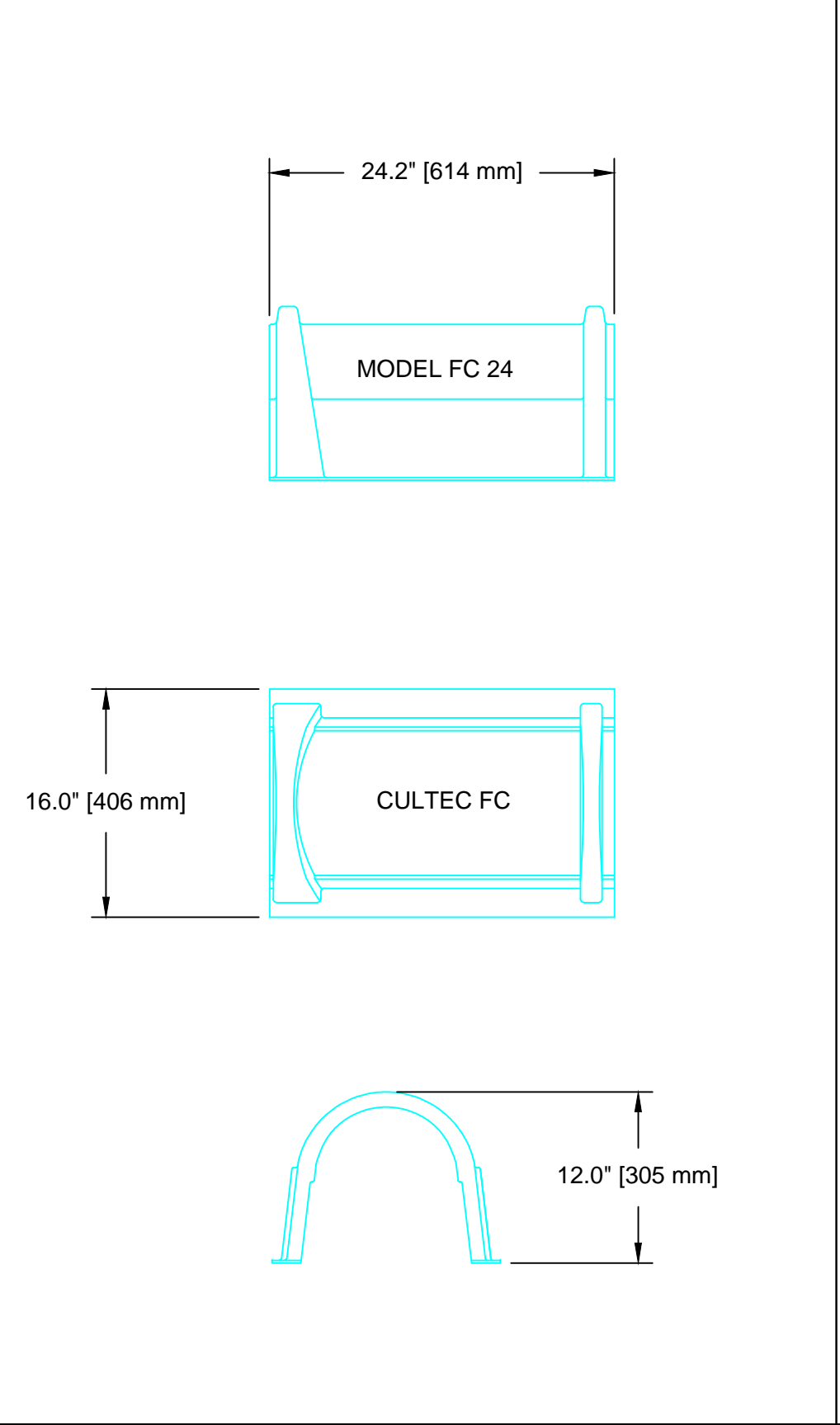
- CHAMBER PARAMETERS**
1. THE CHAMBERS WILL BE MANUFACTURED BY CULTEC, INC. OF BROOKFIELD, CT. (203-775-4416 OR 1-800-428-5832)
  2. THE CHAMBER WILL BE VACUUM THERMOFORMED OF BLACK HIGH MOLECULAR WEIGHT HIGH DENSITY POLYETHYLENE (HMWHDPE).
  3. THE CHAMBER WILL BE ARCHED IN SHAPE.
  4. THE CHAMBER WILL BE OPEN-BOTTOMED.
  5. THE NOMINAL CHAMBER DIMENSIONS OF THE CULTEC HVLV FC-24 FEED CONNECTOR SHALL BE 12 INCHES (305 mm) TALL, 16 INCHES (406 mm) WIDE AND 24.2 INCHES (614 mm) LONG.
  6. THE NOMINAL STORAGE VOLUME OF THE HVLV FC-24 FEED CONNECTOR WILL BE 0.913 FT<sup>3</sup> / FT (0.085 m<sup>3</sup> / m) - WITHOUT STONE.
  7. THE HVLV FC-24 FEED CONNECTOR CHAMBER SHALL HAVE 2 CORRUGATIONS.
  8. THE HVLV FC-24 FEED CONNECTOR MUST BE FORMED AS A WHOLE CHAMBER HAVING TWO OPEN END WALLS AND HAVING NO SEPARATE END PLATES OR SEPARATE END WALLS. THE UNIT WILL FIT INTO THE SIDE PORTALS OF THE CULTEC RECHARGER STORMWATER CHAMBER AND ACT AS CROSS FEED CONNECTIONS CREATING AN INTERNAL MANIFOLD.
  9. THE CHAMBER WILL BE DESIGNED TO WITHSTAND TRAFFIC LOADS WHEN INSTALLED ACCORDING TO CULTEC'S RECOMMENDED INSTALLATION INSTRUCTIONS.
  10. THE CHAMBER SHALL BE MANUFACTURED IN AN ISO 9001:2008 CERTIFIED FACILITY.



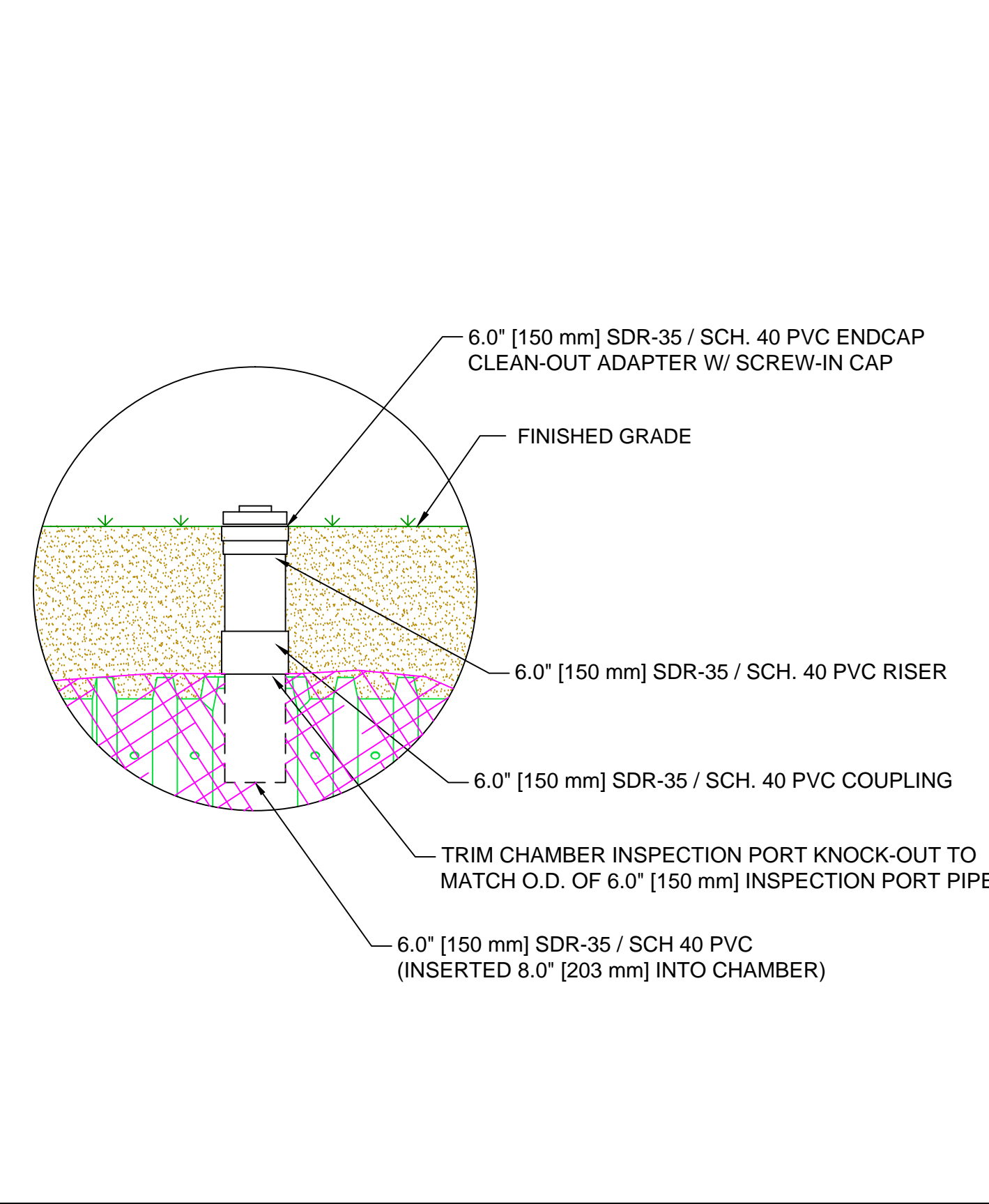
CULTEC HVLV 180BT LS CHAMBER STORAGE = 3.445 CF/FT [0.32 m<sup>3</sup>/m] ALL HVLV 180BT LS UNITS ARE MARKED WITH A COLOR STRIPE FORMED INTO THE PART ALONG THE LENGTH OF THE CHAMBER. THE LANDSCAPER SERIES IS NOT INTENDED TO BE USED IN TRAFFIC AREAS. THE CHAMBERS ARE FOR USE IN NON-TRAFFIC APPLICATIONS ONLY.



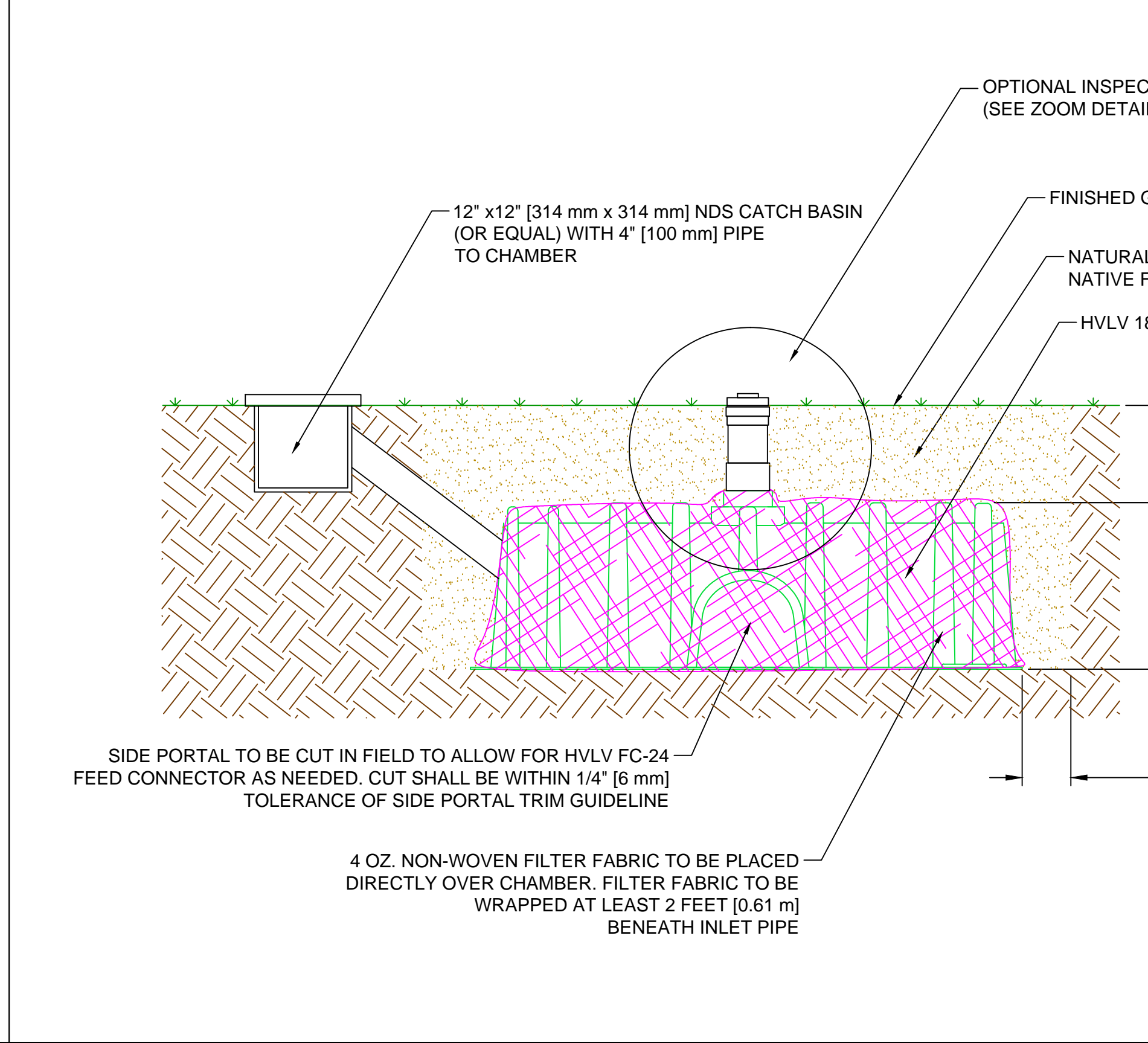
**180 LS 1.0 GENERAL NOTES**



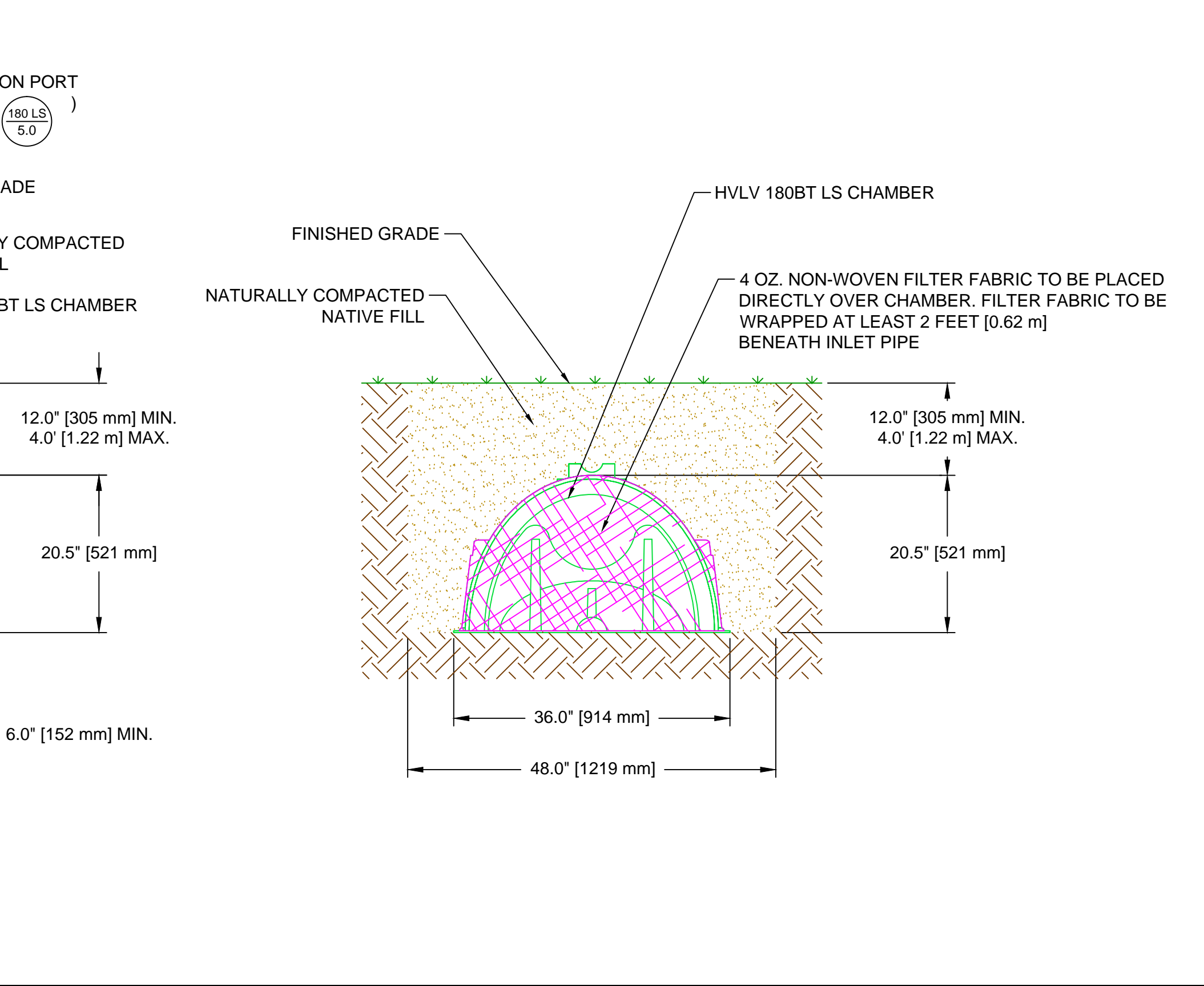
**180 LS 2.0 CULTEC HVLV 180BT LS LANDSCAPER SERIES THREE VIEW**



**180 LS 3.0 CULTEC HVLV 180BT LS LANDSCAPER SERIES PLAN VIEW**



**180 LS 4.0 CULTEC HVLV FC-24 FEED CONNECTOR THREE VIEW**



**180 LS 4.0 CULTEC HVLV FC-24 FEED CONNECTOR THREE VIEW**

**CULTEC, Inc.**  
 Subsurface Stormwater Management Systems  
 P.O. Box 280  
 878 Federal Road  
 Brookfield, CT 06804  
 www.cultec.com  
 PH: (203) 775-4416  
 PH: (800) 4-CULTEC  
 FX: (203) 775-1462  
 tech@cultec.com

**180 LS 5.0 OPTIONAL INSPECTION PORT- ZOOM DETAIL**

THIS DRAWING WAS PREPARED TO SUPPORT THE DESIGN ENGINEER FOR THE PROPOSED SYSTEM. IT IS THE ULTIMATE RESPONSIBILITY OF THE DESIGN ENGINEER TO ASSURE THAT THE STORMWATER SYSTEM'S DESIGN IS IN FULL COMPLIANCE WITH ALL APPLICABLE LAWS AND REGULATIONS. IT IS THE DESIGN ENGINEER'S RESPONSIBILITY TO ENSURE THAT THE CULTEC PRODUCTS ARE DESIGNED IN ACCORDANCE WITH CULTEC'S MINIMUM REQUIREMENTS. CULTEC INC. DOES NOT APPROVE PLANS, SIZING, OR SYSTEM DESIGNS. THE DESIGNING ENGINEER IS RESPONSIBLE FOR ALL DESIGN DECISIONS.

**180 LS 6.0 CULTEC HVLV 180BT LS LANDSCAPER SERIES CROSS SECTION**

HVLV 180BT LS LANDSCAPER SERIES  
 DETAIL SHEET  
 INSTALLATION WITHOUT STONE

**180 LS 5.0 CULTEC HVLV 180BT LS LANDSCAPER SERIES**

HVLV 180BT LS LANDSCAPER SERIES	
PROJECT NO: -	DATE: 02/2015
DESIGNED BY: CULTEC, INC	DRAWN BY: TECH
SCALE: N.T.S.	SHEET NO: 1 OF 2



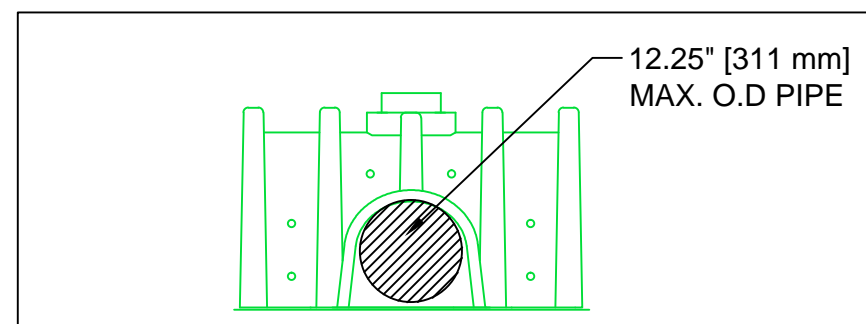
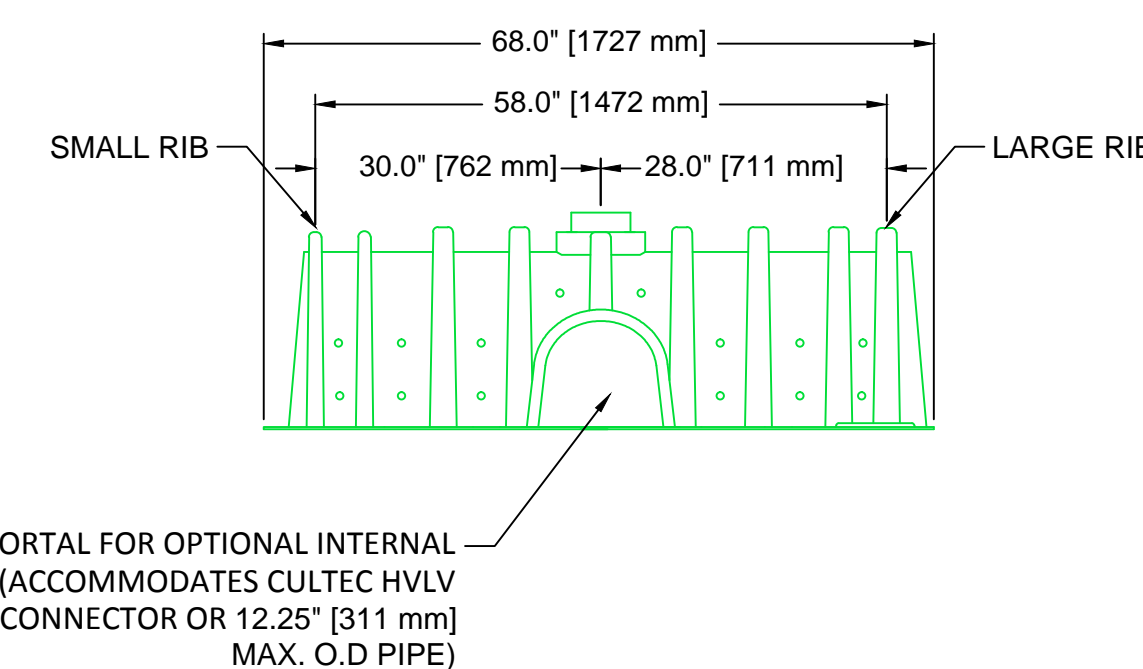
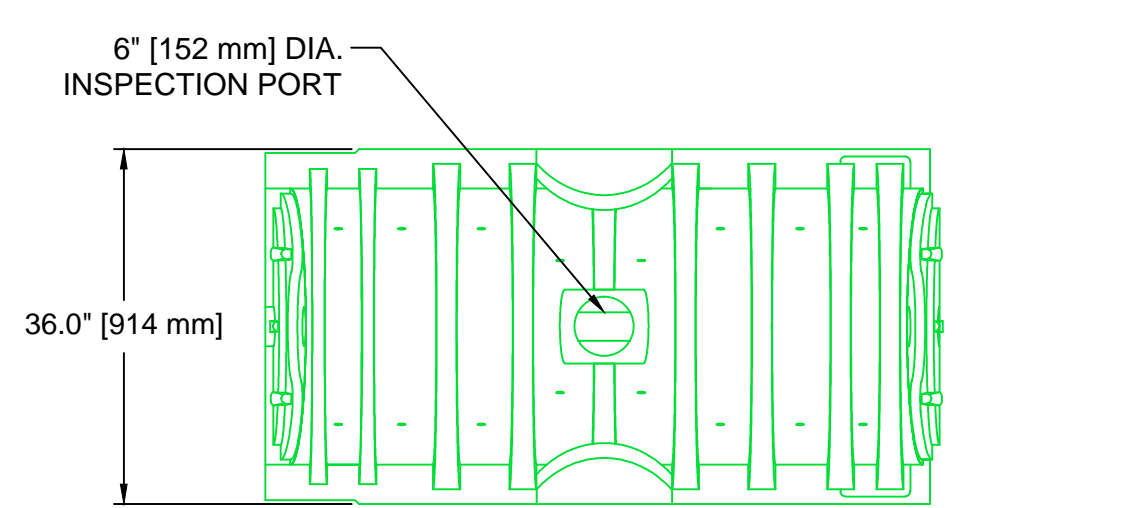
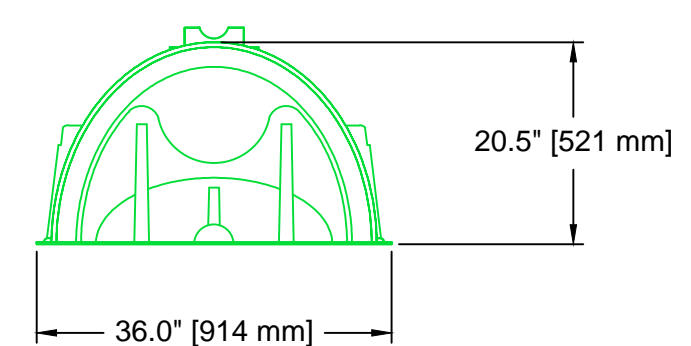
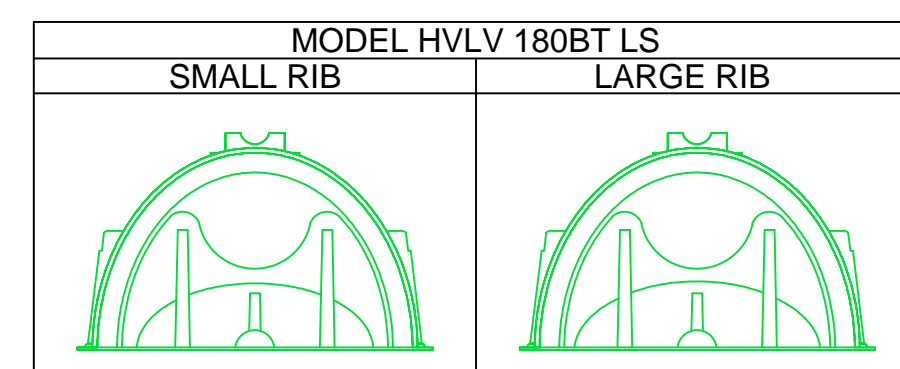
**CULTEC HVLV 180BT LS LANDSCAPER SERIES SPECIFICATIONS**

**GENERAL**  
 CULTEC HVLV® 180BT LS CHAMBERS ARE DESIGNED FOR UNDERGROUND STORMWATER MANAGEMENT. THE CHAMBERS MAY BE USED FOR RETENTION, RECHARGING, DETENTION OR CONTROLLING THE FLOW OF ON-SITE STORMWATER RUNOFF IN NON-TRAFFIC AREAS.

- CHAMBER PROPERTIES**
1. THE CHAMBERS WILL BE MANUFACTURED BY CULTEC, INC. OF BROOKFIELD, CT (203-775-4416 OR 1-800-428-5832).
  2. THE CHAMBER WILL BE VACUUM THERMOFORMED OF GREEN POLYETHYLENE.
  3. THE CHAMBER WILL BE ARCHED IN SHAPE.
  4. THE CHAMBER WILL BE OPEN-BOTTOMED.
  5. THE NOMINAL CHAMBER DIMENSIONS OF THE CULTEC HVLV® 180BT LS SHALL BE 20.5 INCHES (521MM) TALL, 36 INCHES (914 MM) WIDE AND 5.63 FEET (1.72 M) LONG.
  6. MAXIMUM INLET OPENING ON THE CHAMBER END WALL IS 15 INCHES (380 MM).
  7. THE CHAMBER WILL HAVE TWO SIDE PORTALS TO ACCEPT CULTEC HVLV® FC-24 FEED CONNECTORS TO CREATE AN INTERNAL MANIFOLD, IF REQUIRED. THE NOMINAL DIMENSIONS OF EACH SIDE PORTAL WILL BE 12 INCHES (305 MM) HIGH BY 16 INCHES (406 MM) WIDE. MAXIMUM ALLOWABLE O.D. PIPE SIZE IN THE SIDE PORTAL IS 12.25" [311 MM].
  8. THE NOMINAL CHAMBER DIMENSIONS OF THE CULTEC HVLV® FC-24 FEED CONNECTOR SHALL BE 12 INCHES (305 MM) TALL, 16 INCHES (406 MM) WIDE AND 24.2 INCHES (614 MM) LONG.
  9. THE NOMINAL STORAGE VOLUME OF THE CULTEC HVLV® 180BT LS CHAMBER WILL BE 3.445 FT<sup>3</sup> / FT (0.32 M<sup>3</sup> / M) - WITHOUT STONE.
  10. THE NOMINAL STORAGE VOLUME OF THE HVLV® FC-24 FEED CONNECTOR WILL BE 0.913 FT<sup>3</sup> / FT (0.026 M<sup>3</sup> / M) - WITHOUT STONE.
  11. THE CULTEC HVLV® 180BT LS CHAMBER WILL HAVE TWENTY-EIGHT DISCHARGE HOLES BORED INTO THE SIDEWALLS OF THE UNITS CORE TO PROMOTE LATERAL CONVEYANCE OF WATER.
  12. THE CULTEC HVLV® 180BT LS CHAMBER SHALL HAVE 9 CORRUGATIONS.
  13. THE CULTEC HVLV® 180BT LS STAND ALONE UNIT MUST BE FORMED AS A WHOLE CHAMBER HAVING TWO FULLY FORMED INTEGRAL END WALLS AND HAVING NO SEPARATE END PLATES OR SEPARATE END WALLS.
  14. THE HVLV® FC-24 FEED CONNECTOR MUST BE FORMED AS A WHOLE CHAMBER HAVING TWO OPEN END WALLS AND HAVING NO SEPARATE END PLATES OR SEPARATE END WALLS. THE UNIT WILL FIT INTO THE SIDE PORTALS OF THE CULTEC HVLV® 180BT LS AND ACT AS CROSS FEED CONNECTIONS, IF REQUIRED.
  15. THE CHAMBER WILL BE DESIGNED TO BE INSTALLED IN NON-TRAFFIC APPLICATIONS ONLY.
  16. THE CHAMBER WILL HAVE A RAISED INTEGRAL CAP AT THE TOP OF THE ARCH IN THE CENTER OF EACH UNIT TO BE USED AS AN OPTIONAL INSPECTION PORT OR CLEAN-OUT.
  17. THE CHAMBER SHALL BE MANUFACTURED IN AN ISO 9001:2008 CERTIFIED FACILITY.
  18. THE CHAMBER SHALL BE USED FOR NON-TRAFFIC APPLICATIONS ONLY.
  19. MAXIMUM ALLOWABLE COVER OVER THE TOP OF THE CHAMBER SHALL BE 4.0' (1.22 M).

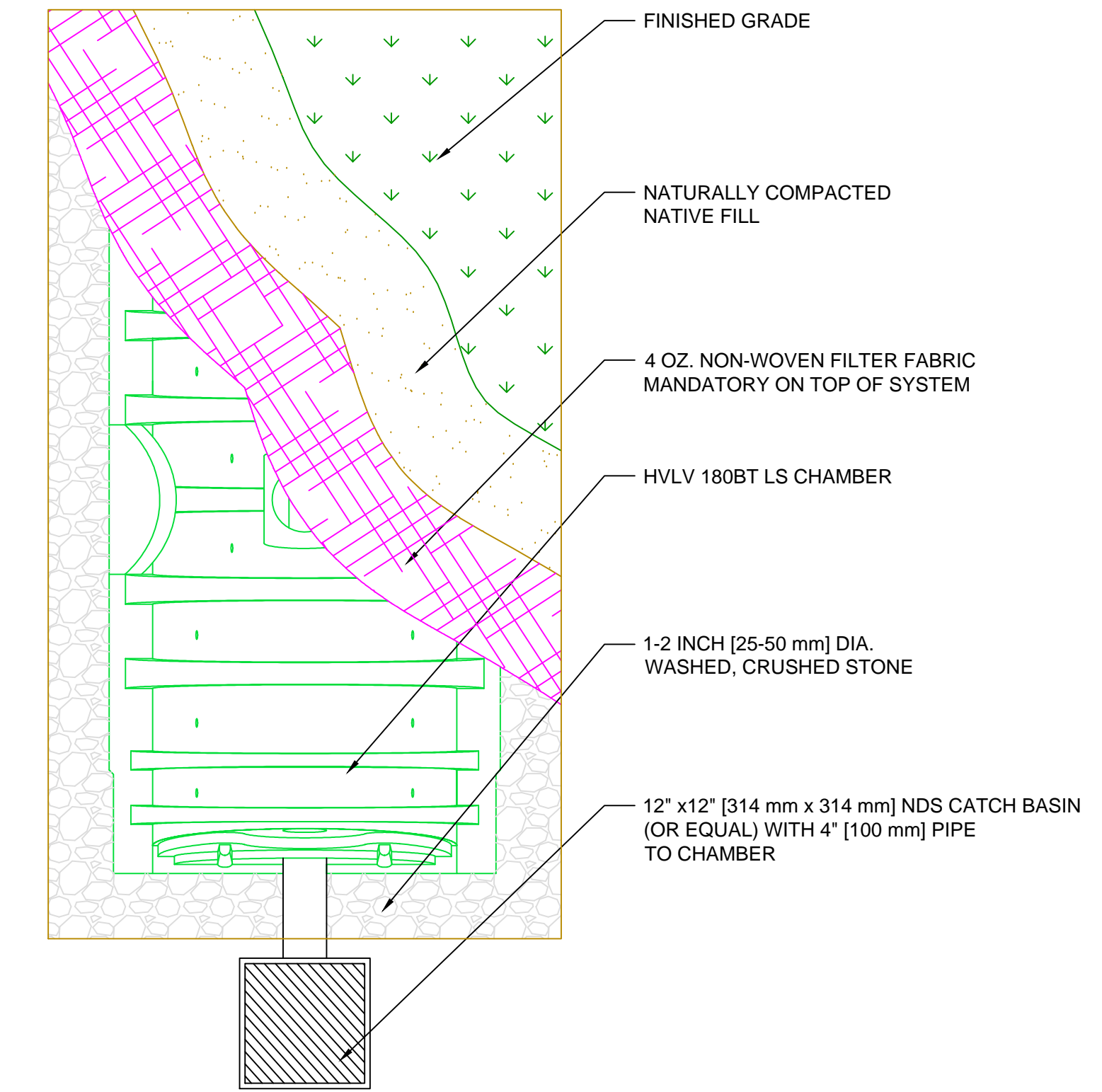
**CULTEC HVLV FC-24 FEED CONNECTOR PRODUCT SPECIFICATIONS**  
**GENERAL**  
 CULTEC HVLV FC-24 FEED CONNECTORS ARE DESIGNED TO CREATE AN INTERNAL MANIFOLD FOR CULTEC RECHARGER MODEL 330XLHD STORMWATER CHAMBERS.

- CHAMBER PARAMETERS**
1. THE CHAMBERS WILL BE MANUFACTURED BY CULTEC, INC. OF BROOKFIELD, CT. (203-775-4416 OR 1-800-428-5832)
  2. THE CHAMBER WILL BE VACUUM THERMOFORMED OF BLACK HIGH MOLECULAR WEIGHT HIGH DENSITY POLYETHYLENE (HMWHDPE).
  3. THE CHAMBER WILL BE ARCHED IN SHAPE.
  4. THE CHAMBER WILL BE OPEN-BOTTOMED.
  5. THE NOMINAL CHAMBER DIMENSIONS OF THE CULTEC HVLV FC-24 FEED CONNECTOR SHALL BE 12 INCHES (305 mm) TALL, 16 INCHES (406 mm) WIDE AND 24.2 INCHES (614 mm) LONG.
  6. THE NOMINAL STORAGE VOLUME OF THE HVLV FC-24 FEED CONNECTOR WILL BE 0.913 FT<sup>3</sup> / FT (0.085 m<sup>3</sup> / m) - WITHOUT STONE.
  7. THE HVLV FC-24 FEED CONNECTOR CHAMBER SHALL HAVE 2 CORRUGATIONS.
  8. THE HVLV FC-24 FEED CONNECTOR MUST BE FORMED AS A WHOLE CHAMBER HAVING TWO OPEN END WALLS AND HAVING NO SEPARATE END PLATES OR SEPARATE END WALLS. THE UNIT WILL FIT INTO THE SIDE PORTALS OF THE CULTEC RECHARGER STORMWATER CHAMBER AND ACT AS CROSS FEED CONNECTIONS CREATING AN INTERNAL MANIFOLD.
  9. THE CHAMBER WILL BE DESIGNED TO WITHSTAND TRAFFIC LOADS WHEN INSTALLED ACCORDING TO CULTEC'S RECOMMENDED INSTALLATION INSTRUCTIONS.
  10. THE CHAMBER SHALL BE MANUFACTURED IN AN ISO 9001:2008 CERTIFIED FACILITY.



CULTEC HVLV 180BT LS CHAMBER STORAGE = 3.445 CF/FT [0.32 m<sup>3</sup>/m] ALL HVLV 180BT LS UNITS ARE MARKED WITH A COLOR STRIPE FORMED INTO THE PART ALONG THE LENGTH OF THE CHAMBER. THE LANDSCAPER SERIES IS NOT INTENDED TO BE USED IN TRAFFIC AREAS. THE CHAMBERS ARE FOR USE IN NON-TRAFFIC APPLICATIONS ONLY.

ZOOM OF SIDE PORTAL SHOWING MAX. PIPE O.D.

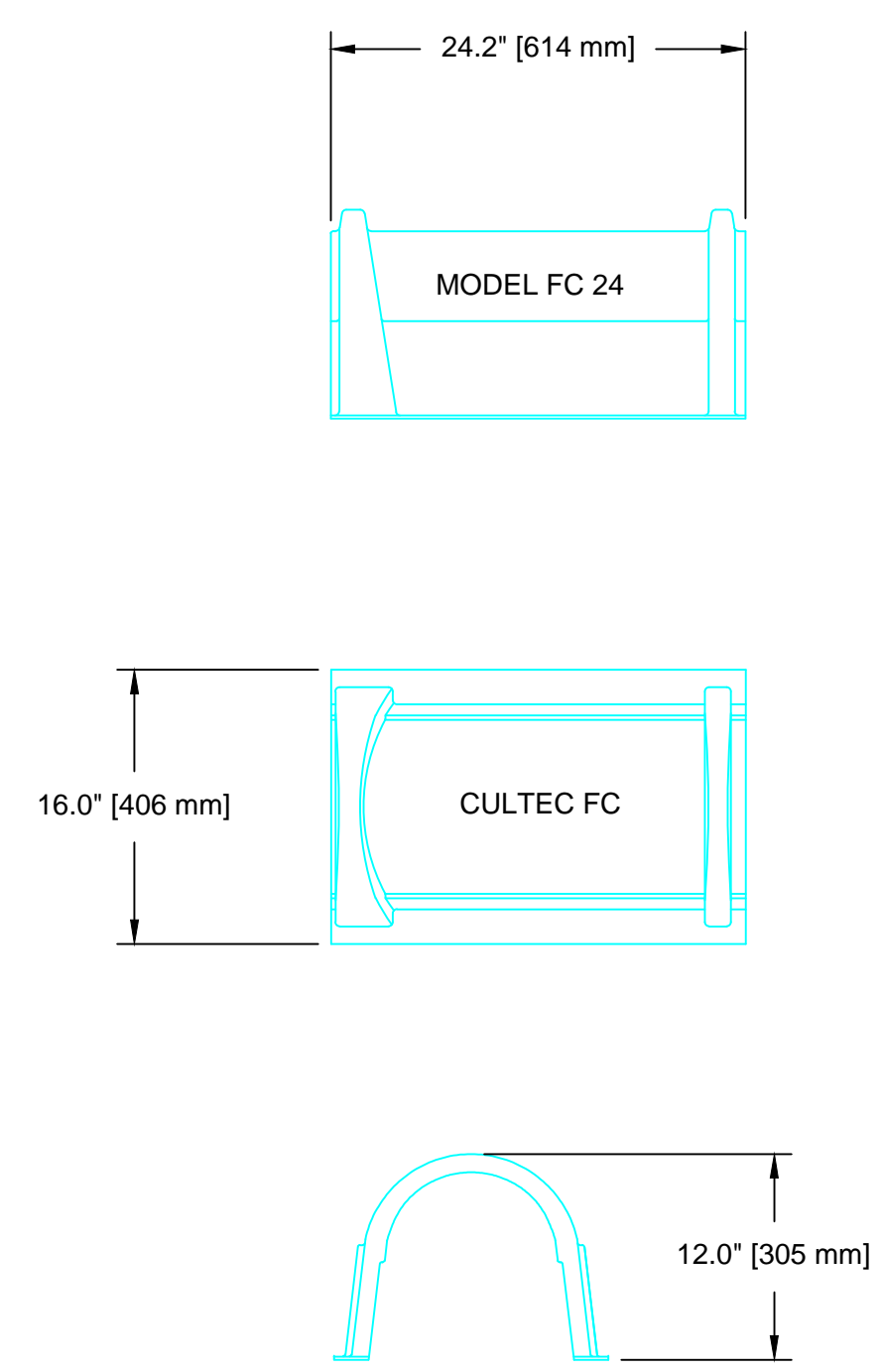


CULTEC HVLV 180BT LS LANDSCAPER SERIES PLAN VIEW

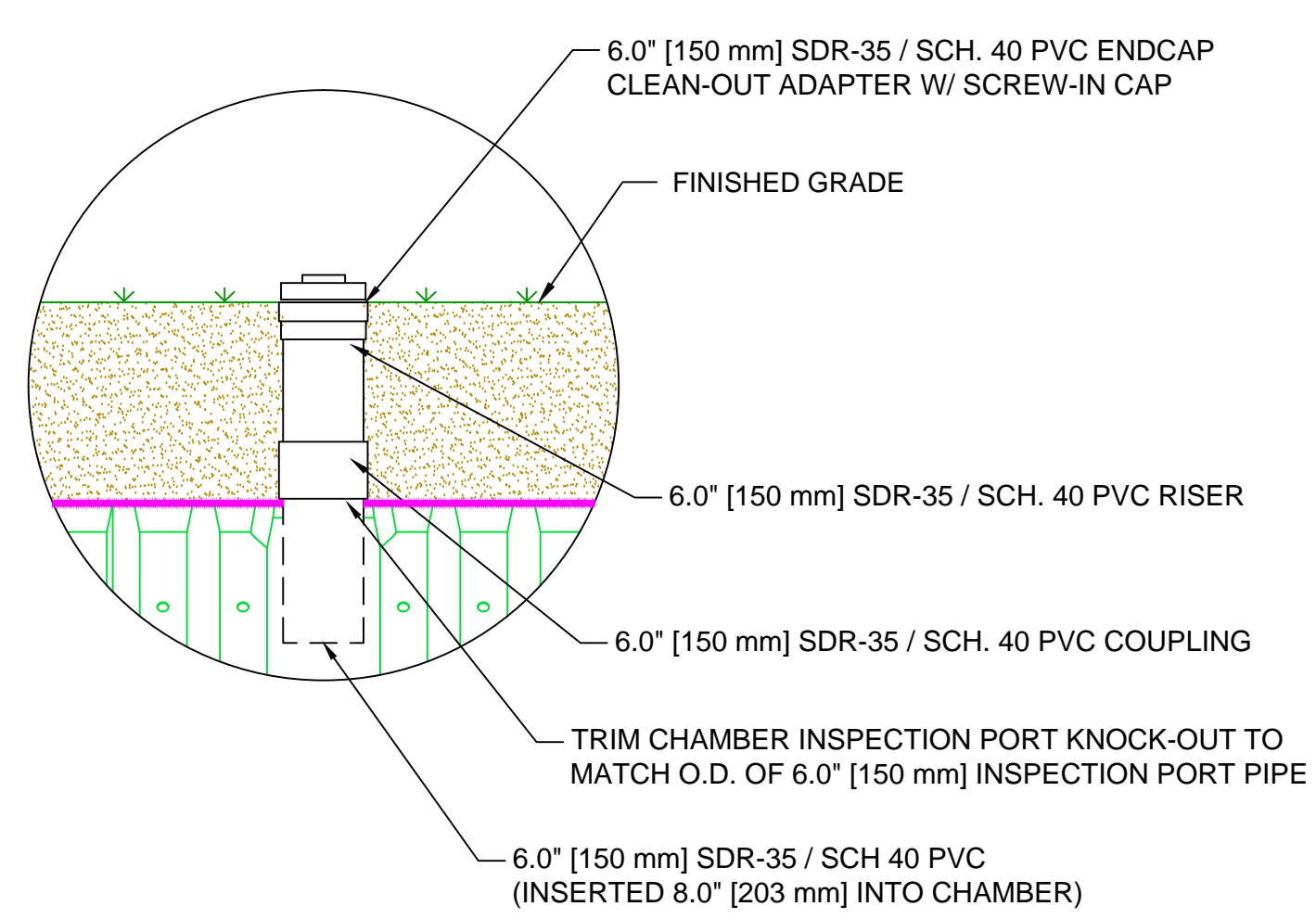
180 LS 1.0 GENERAL NOTES

180 LS 2.0 CULTEC HVLV 180BT LS LANDSCAPER SERIES THREE VIEW

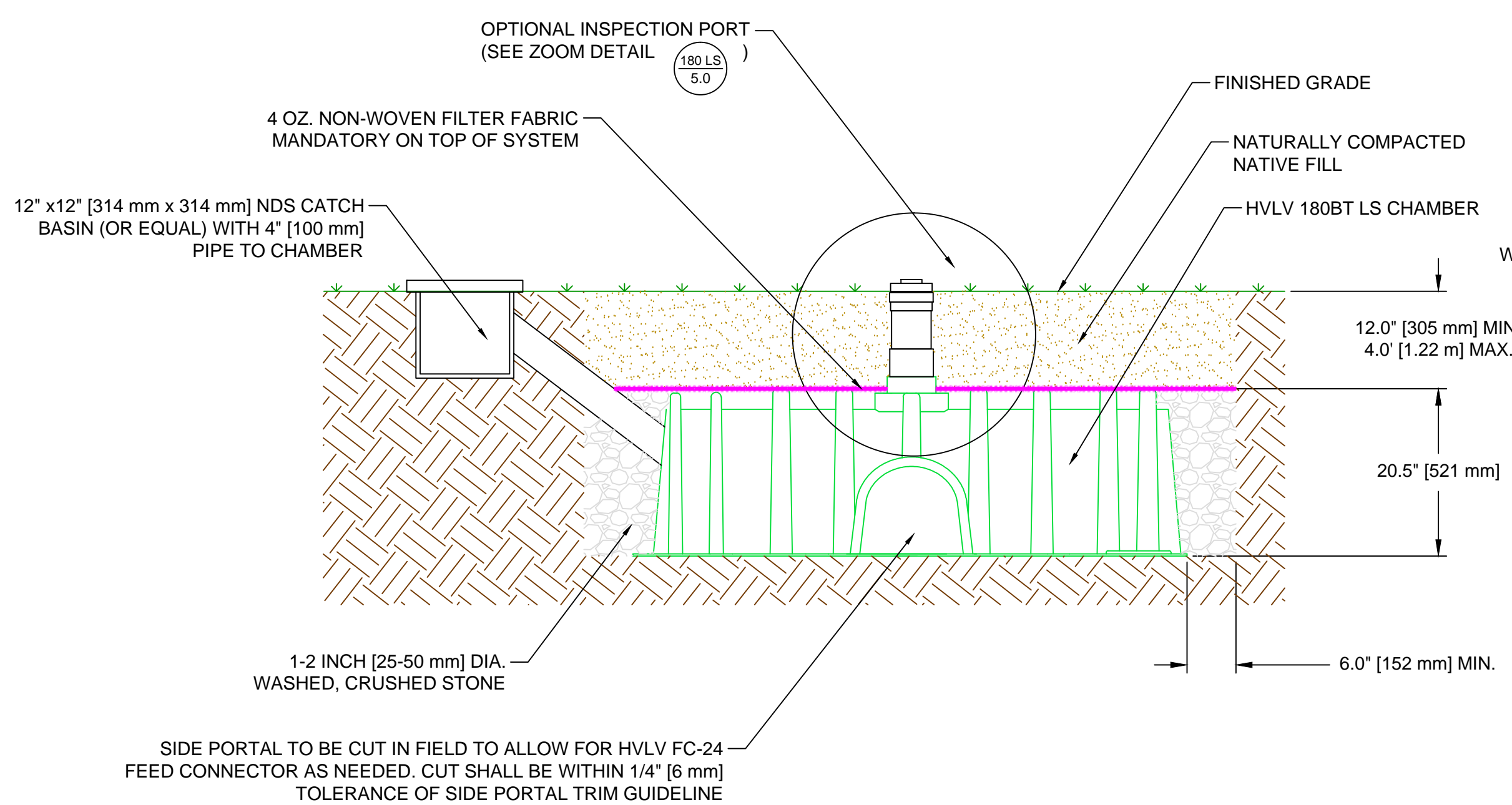
180 LS 3.0 CULTEC HVLV 180BT LS LANDSCAPER SERIES PLAN VIEW



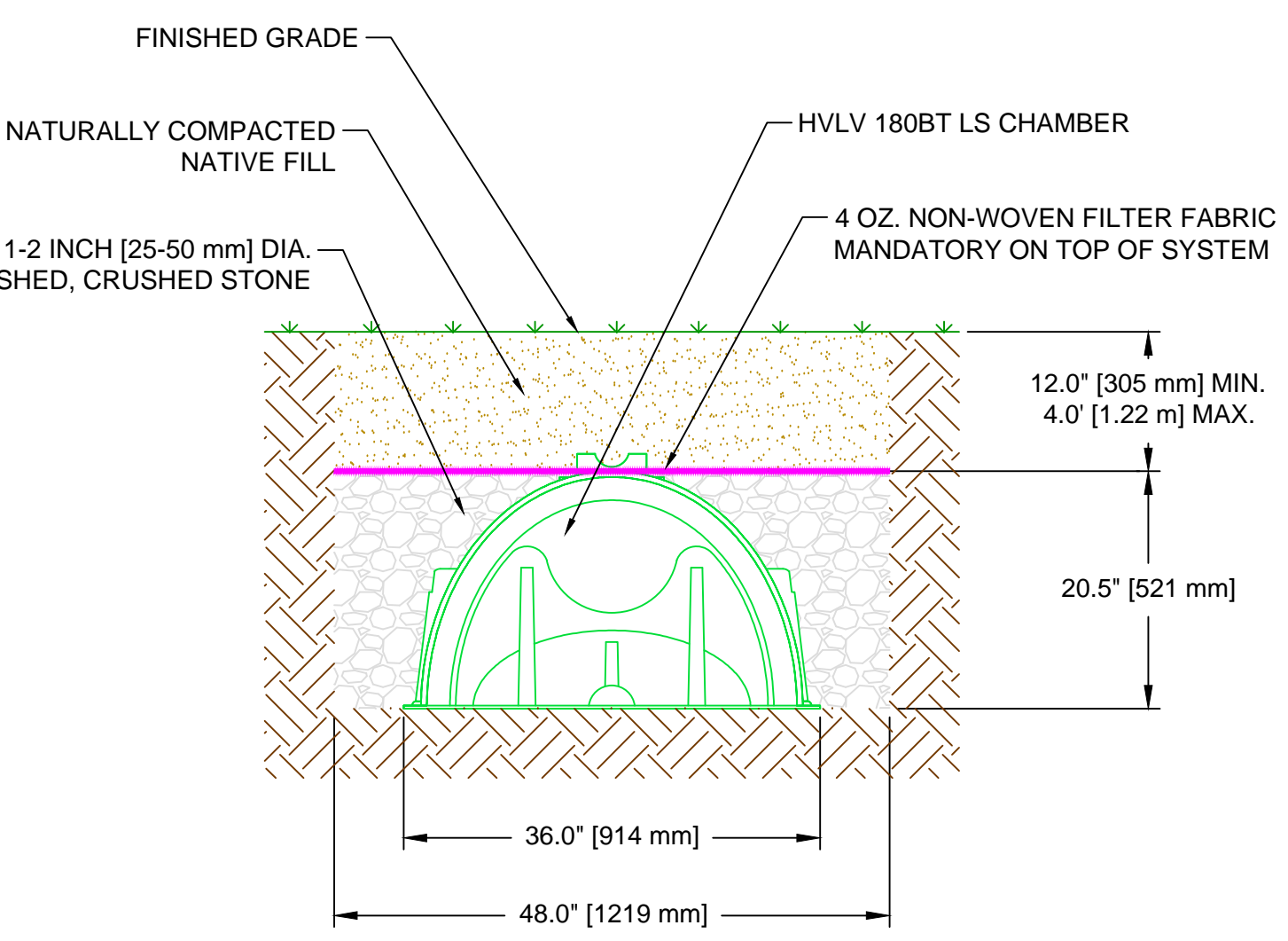
180 LS 4.0 CULTEC HVLV FC-24 FEED CONNECTOR THREE VIEW



180 LS 5.0 OPTIONAL INSPECTION PORT- ZOOM DETAIL



180 LS 6.0 CULTEC HVLV 180BT LS LANDSCAPER SERIES CROSS SECTION



180 LS 7.0 CULTEC HVLV 180BT LS LANDSCAPER SERIES CROSS SECTION

**CULTEC, Inc.**  
 Subsurface Stormwater Management Systems  
 P.O. Box 280  
 878 Federal Road  
 Brookfield, CT 06804  
 www.cultec.com  
 PH: (203) 775-4416  
 PH: (800) 4-CULTEC  
 FX: (203) 775-1462  
 tech@cultec.com

THIS DRAWING WAS PREPARED TO SUPPORT THE DESIGN ENGINEER FOR THE PROPOSED SYSTEM. IT IS THE ULTIMATE RESPONSIBILITY OF THE DESIGN ENGINEER TO ASSURE THAT THE STORMWATER SYSTEM'S DESIGN IS IN FULL COMPLIANCE WITH ALL APPLICABLE LAWS AND REGULATIONS. IT IS THE DESIGN ENGINEER'S RESPONSIBILITY TO ENSURE THAT THE CULTEC PRODUCTS ARE DESIGNED IN ACCORDANCE WITH CULTEC'S MINIMUM REQUIREMENTS. CULTEC INC. DOES NOT APPROVE PLANS, SIZING, OR SYSTEM DESIGNS. THE DESIGNING ENGINEER IS RESPONSIBLE FOR ALL DESIGN DECISIONS.

HVLV 180BT LS LANDSCAPER SERIES  
 DETAIL SHEET  
 INSTALLATION WITH STONE

HVLV 180BT LS LANDSCAPER SERIES	
PROJECT NO: -	DATE: 02/2015
DESIGNED BY: CULTEC, INC	DRAWN BY: TECH
SCALE: N.T.S.	SHEET NO: 2 OF 2