

CULTEC Landscaper Series™ for Residential Drainage



Installation Instructions for CULTEC Landscaper Series™

Models HVLV™ 180BT LS, Recharger® V8R LS



INSTALLATION

CULTEC Recharger® V8 LS - Typical Installation Method for Single Unit

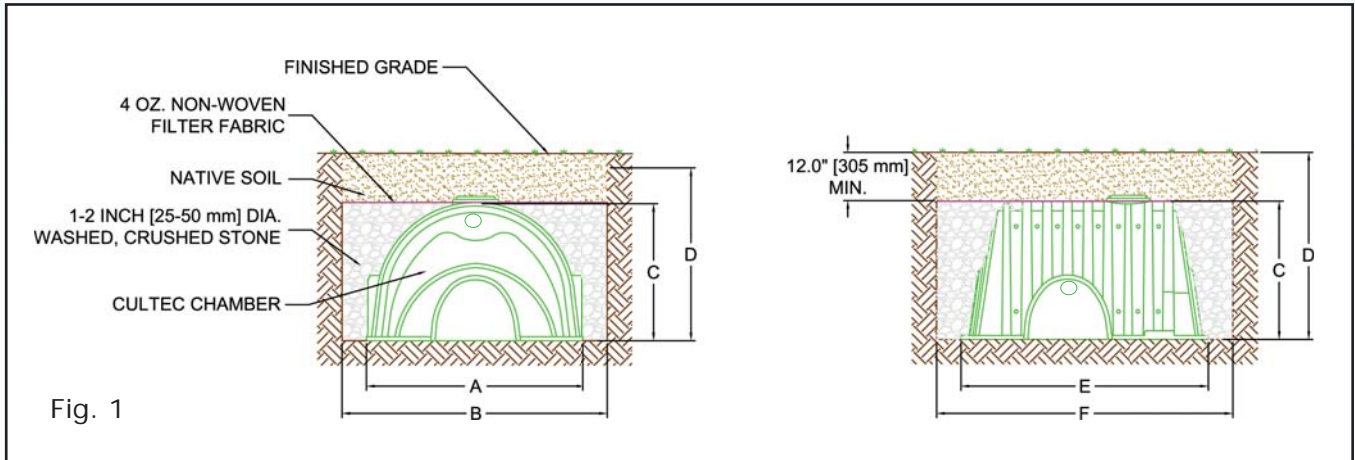


Fig. 1

A	B	C	D	E	F					Approx. Stone Required per Unit
Chamber Width	Trench Width	Chamber Height	Trench Depth	Chamber Length	Trench Length	Bare Chamber Volume	Storage Volume per Installed Unit			
60"	72"	32"	44"	5.08'	6.08'	44.12 ft ³	330 gal.	65.40 ft ³	489 gal.	1.97 yd ³
1524 mm	1829 mm	813 mm	1118 mm	1.55 m	1.85 m	1.25 m ³	1249 l	1.85 m ³	1852 l	1.51 m ³



Shown: Cut-away installation. Stone is to surround chamber up to crown of unit. (See Fig. 1.)

Additional stone may be used to increase storage capacity, if desired.

Installation Instructions:

- Excavate and level a trench 6.08' long x 72" wide x 44" deep (1.85 m x 1829 mm x 1118 mm).
- Place Recharger® V8 LS chamber on bottom of trench.
- Insert pipe 6" (152 mm) into endwall of chamber.
- Surround chamber in stone to crown of unit.
- Cover stone with CULTEC No. 410™ Filter Fabric.
- Backfill with 12" (305 mm) of soil.



INSTALLATION



CULTEC HVLV™ 180BT LS - Typical Installation Method for Single Unit

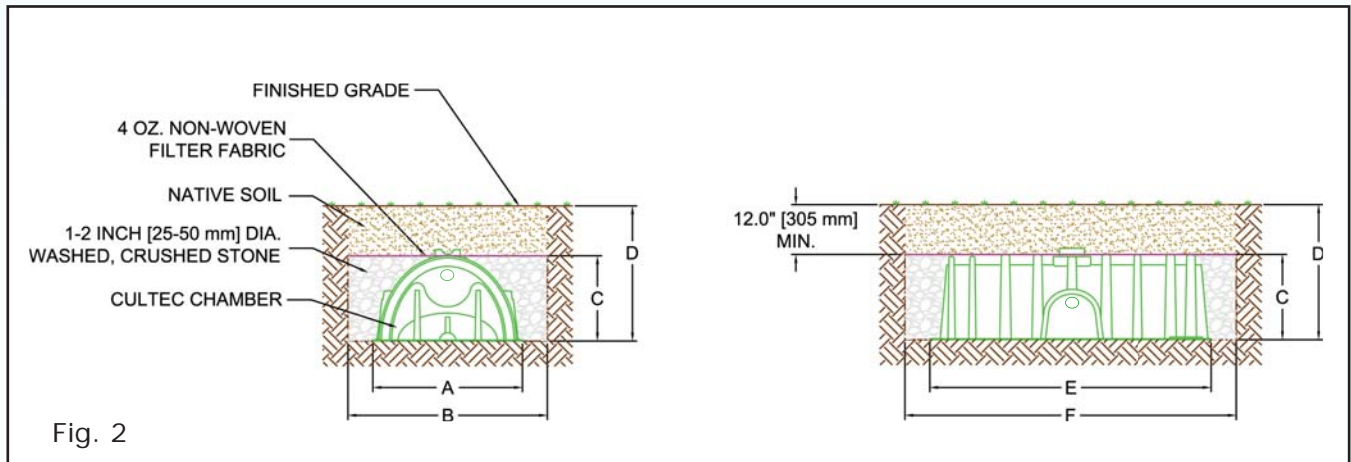


Fig. 2

A	B	C	D	E	F	Bare Chamber Volume		Storage Volume per Installed Unit		Approx. Stone Required per Unit
Chamber Width	Trench Width	Chamber Height	Trench Depth	Chamber Length	Trench Length					
36"	48"	20.5"	32.5"	5.63'	6.63'	19.40 ft ³	145 gal.	29.76 ft ³	223 gal.	0.96 yd ³
914 mm	1219 mm	521 mm	826 mm	1.72 m	2.02 m	0.55 m ³	549 l	0.84 m ³	843 l	0.73 m ³



Shown: Cut-away installation. Stone is to surround chamber up to crown of unit.
(See Fig. 2.)

Additional stone may be used to increase storage capacity, if desired.

Installation Instructions:

- Excavate and level a trench 6.63' long x 48" wide x 32.5" deep (2.02 m x 1213 mm x 826 mm).
- Place HVLV™ 180BT LS chamber on bottom of trench.
- Insert pipe 6" (152 mm) into endwall of chamber.
- Surround chamber in stone to crown of unit.
- Cover stone with CULTEC No. 410™ Filter Fabric.
- Backfill with 12" (305 mm) of soil.



LIMITED 1-Yr. WARRANTY

CULTEC, Inc. finished products, when properly installed, registered with Cultec, Inc., and operated under normal conditions of use, are covered under Cultec Inc.'s Limited Warranty to be free from defects in material and workmanship for a period of one (1) year from the date of manufacture. In order to obtain Cultec's Limited Warranty, the product warranty registration card must be completed and returned to Cultec, Inc., having been post-marked within thirty (30) days of installation. Failure to return the warranty registration card to Cultec, Inc. shall void the Limited Warranty. This Limited Warranty shall be void if the finished product is not installed within forty-five (45) days of the date of purchase from Cultec, Inc. In order to obtain performance under this Limited Warranty, Cultec, Inc. must be provided with written notice of any defect promptly (in no case later than ten (10) business days after initial discovery AND prior to the end of the Limited Warranty period), with such notice sent to 878 Federal Road, PO Box 280, Brookfield, CT 06804-0280. The original purchase receipt for the product must be included with documentation supporting any claim under the terms of this Limited Warranty. Failure to promptly submit notice of defect, a receipt and completed limited warranty certificate will void the Limited Warranty. Cultec, Inc. shall not be responsible for any freight charges incurred in connection with this Limited Warranty. A fee may be incurred when Cultec, Inc. (in its sole discretion) deems it necessary for a Cultec, Inc. representative to visit a product installation site.

This Limited Warranty extends only to Cultec, Inc. products when the products are installed in 'single level', provided that such products do not, in the collective, amount to more than 12,000 cubic feet (339.84 cubic meters) of water volume storage capacity. This Limited Warranty shall be void where products are installed in 'multi-layer' or 'multi-tier' systems, as well as wherein collective system volume exceeds 12,000 cubic feet (339.84 cubic meters) of water volume storage capacity. Notwithstanding the foregoing, Cultec, Inc., in its sole discretion, may extend certain Limited Warranty terms upon 'double-layer' or 'double-tier' product installations, as well as 'single level' product installations wherein collective system volume exceeds 12,000 cubic feet (339.84 cubic meters) of water volume storage capacity, provided that (i) the buyer has contacted Cultec, Inc. prior to installation and has advised of the proposed installation design; (ii) all product warranty registration information has been provided prior to product installation; (iii) a pre-construction/pre-installation meeting has been held with representatives of Cultec, Inc.; and (iv) Cultec, Inc. has provided written confirmation of its intent to honor any Limited Warranty terms with respect to the specific installation. Under no circumstances shall any decision by Cultec, Inc. to honor such terms be relied upon by any party in any subsequent product purchase or installation.

This Limited Warranty does not apply to installation piping and/or other parts not supplied by Cultec, Inc. Cultec, Inc.'s limited warranties also do not extend to any goods or parts which have been damaged prior to installation, subjected to misuse, damaged by lack of maintenance, improper installation, neglect, damaged by accident, or damaged by being crushed by heavy equipment weighing in excess of the rated load carrying capacity of the product. This Limited Warranty also does not apply to shipping or in-transit damage.

THIS LIMITED WARRANTY DOES NOT APPLY TO CULTEC, INC. PRODUCTS THAT HAVE NOT BEEN INSTALLED ACCORDING TO CULTEC WRITTEN INSTALLATION INSTRUCTIONS. ANY PRODUCT DAMAGE OR FAILURE RESULTING FROM IMPROPER OR NEGLIGENT INSTALLATION IS SPECIFICALLY EXCLUDED FROM THIS WARRANTY AND SHALL REMAIN THE BUYER'S RESPONSIBILITY.

THIS WARRANTY IS LIMITED TO THE BUYER AND IS NOT TRANSFERABLE. THIS EXPRESS LIMITED WARRANTY EXCLUDES ALL OTHER WARRANTIES OR REPRESENTATIONS, EXPRESSED, IMPLIED, OR STATUTORY, BY ANY LITERATURE, DATA, OR PERSON. CULTEC, INC. EXPRESSLY DISCLAIMS ANY WARRANTY OF MERCHANTABILITY OR FITNESS FOR A PARTICULAR USE OR PURPOSE WITH RESPECT TO THE GOODS SOLD. THERE ARE NO WARRANTIES WHICH EXTEND BEYOND THE DESCRIPTIONS SET FORTH IN THIS LIMITED WARRANTY, NOTWITHSTANDING ANY KNOWLEDGE OF CULTEC, INC. REGARDING THE USE OR USES INTENDED TO BE MADE OF GOODS, PROPOSED CHANGES OR ADDITIONS TO GOODS, OR ANY ASSISTANCE OR SUGGESTIONS THAT MAY HAVE BEEN MADE BY CULTEC, INC. PERSONNEL. BUYER IS RESPONSIBLE FOR DETERMINING THE SUITABILITY OF CULTEC, INC. PRODUCTS FOR BUYER'S USE OR RE SALE, OR FOR INCORPORATING THEM INTO OBJECTS OR APPLICATIONS WHICH BUYER DESIGNS, ASSEMBLES, CONSTRUCTS OR MANUFACTURES.

CULTEC, INC. WILL NOT BE RESPONSIBLE OR LIABLE FOR INDIRECT OR CONSEQUENTIAL DAMAGES OF ANY KIND, HOWEVER ARISING, INCLUDING BUT NOT LIMITED TO THOSE FOR USE OF ANY PRODUCTS, LOSS OF TIME, INCONVENIENCE, LOST PROFIT, LABOR CHARGES, OR OTHER INCIDENTAL OR CONSEQUENTIAL DAMAGES WITH RESPECT TO PERSONS, BUSINESS, OR PROPERTY, WHETHER AS A RESULT OF BREACH OF WARRANTY, NEGLIGENCE OR OTHERWISE. NOTWITHSTANDING ANY OTHER PROVISION OF THIS LIMITED WARRANTY, BUYER'S REMEDY AGAINST CULTEC, INC. FOR GOODS SUPPLIED OR FOR NON-DELIVERED GOODS OR FAILURE TO FURNISH GOODS, WHETHER OR NOT BASED ON NEGLIGENCE, STRICT LIABILITY OR BREACH OF EXPRESS OR IMPLIED WARRANTY, IS LIMITED SOLELY, AT CULTEC, INC.'S OPTION, TO REPLACEMENT OF OR CURE OF SUCH NONCONFORMING OR NON-DELIVERED GOODS OR RETURN OF THE PURCHASE PRICE FOR SUCH GOODS AND IN NO EVENT SHALL EXCEED THE PRICE OR CHARGE FOR SUCH GOODS. CULTEC, INC.'S MAXIMUM LIABILITY UNDER THIS EXCLUSIVE REMEDY SHALL NEVER EXCEED THE COST OF THE SUBJECT PRODUCT. CULTEC, INC. RESERVES THE RIGHT, AT ITS SOLE DISCRETION, TO REFUND THE PURCHASE PRICE IN LIEU OF REPAIR OR REPLACEMENT.

The Landscaper Series™ is not to be used in traffic areas.

The chambers are for use in non-traffic applications only.

To find out about products which are available for traffic applications, contact CULTEC at 203-775-4416.



CULTEC, Inc.

878 Federal Road • P.O. Box 280 • Brookfield, CT 06804

Phone: 203-775-4416 • Toll Free: 1-800-4-CULTEC • Fax: 203-775-1462

Web: www.cultec.com • E-mail: custservice@cultec.com

Protected by one or more of the following patents: U.S. Patent No. 5,419,838; 6,129,482; 6,322,288 B1; 7,226,241; Canadian Patent No. 2,252,286; 2,450,565; 2,591,255; 2,303,658; Other U.S. and/or Foreign patent(s)/patent(s) pending. European Design Nos. 001092191 (0001-0004).

CULTEC®, RECHARGER®, HVLV™, LANDSCAPER SERIES™ are trademarks of CULTEC, Inc.

Copyright 2014 CULTEC, Inc. All rights reserved.

The drawings, photographs and illustrations shown in this document are for illustrative purposes only and are not necessarily to scale. Actual designs may vary. CULTEC reserves the right to make design and/or specification changes at any time without notice at CULTEC's sole discretion.