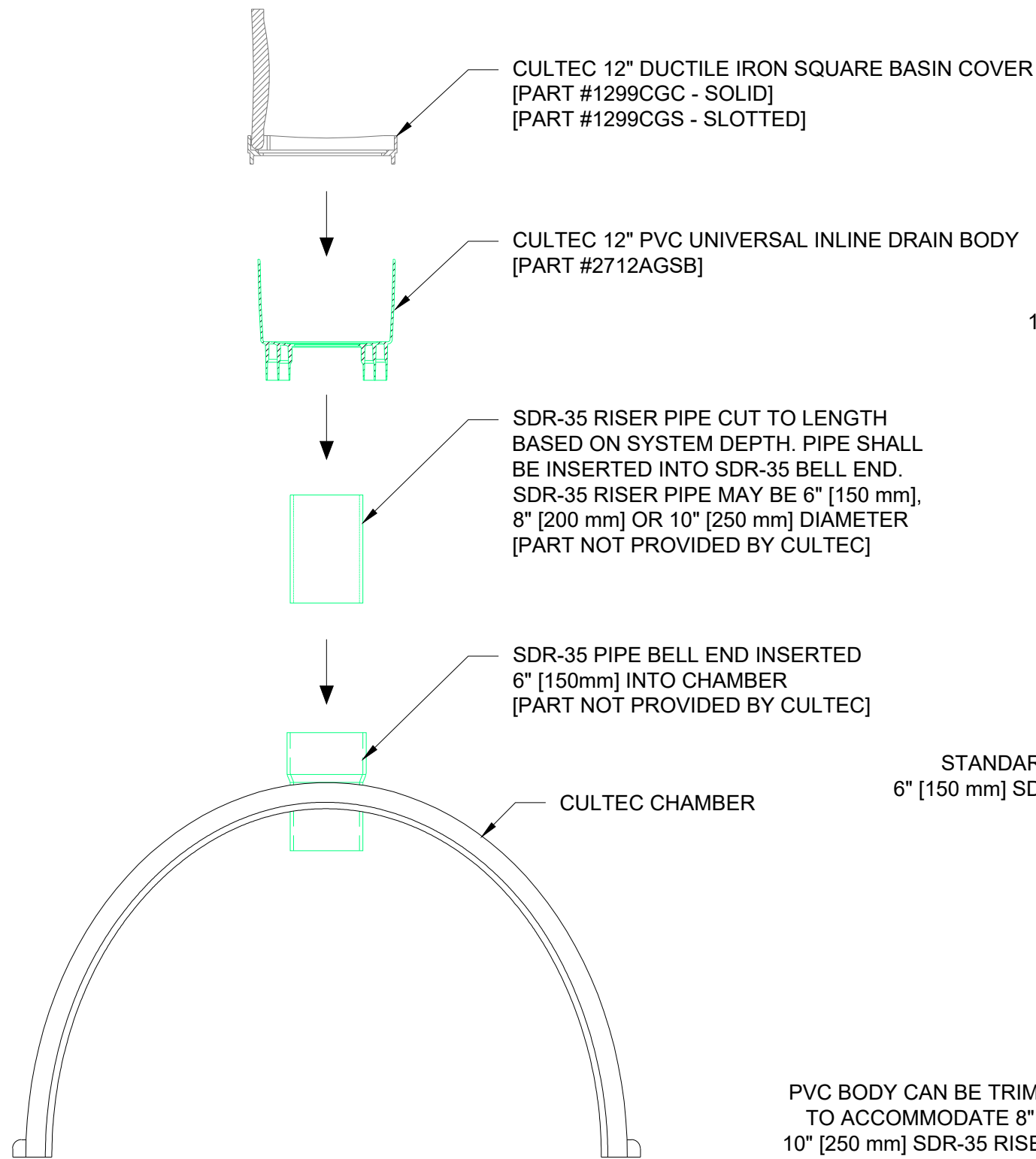
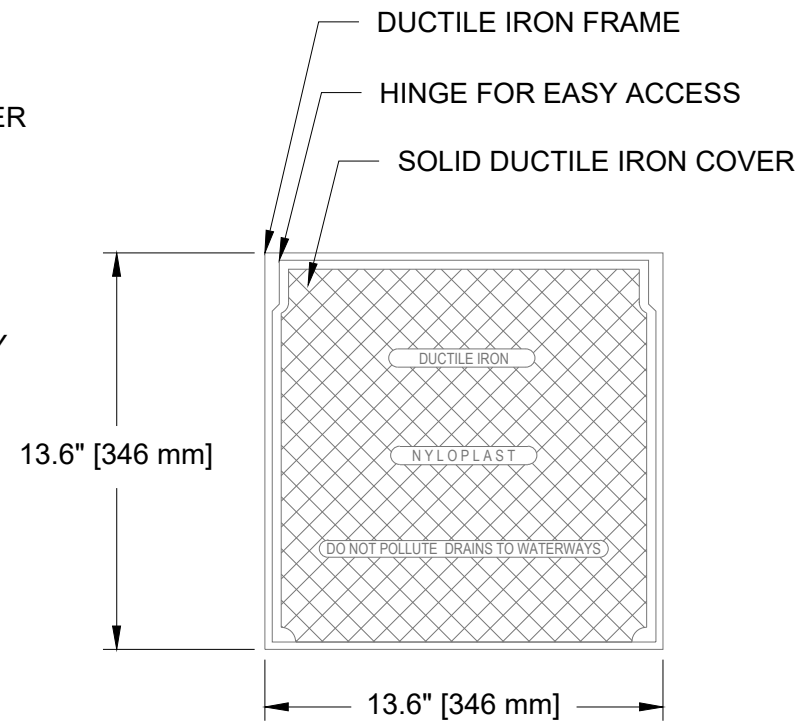


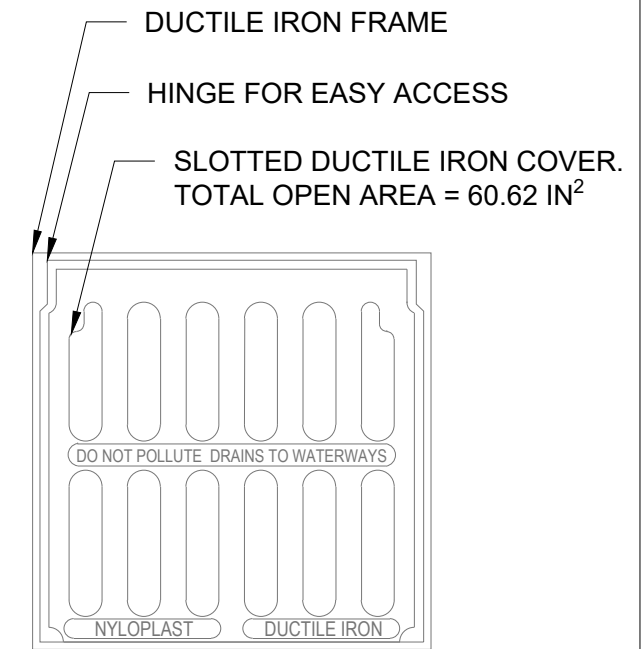
FINAL ASSEMBLY



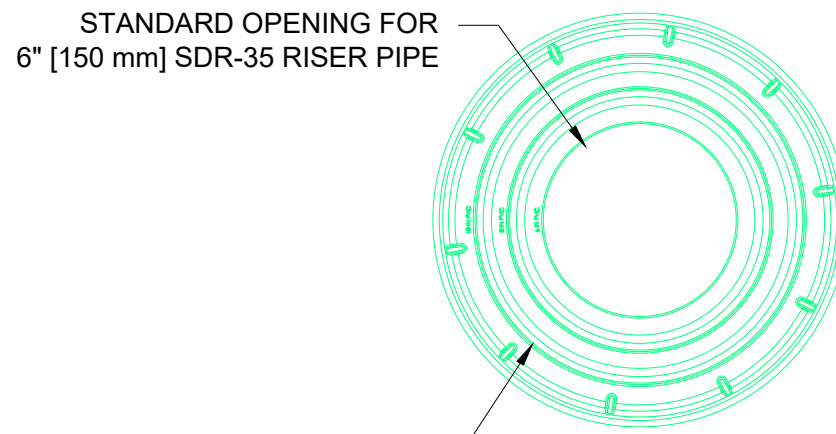
SOLID COVER OPTION



SLOTTED COVER OPTION

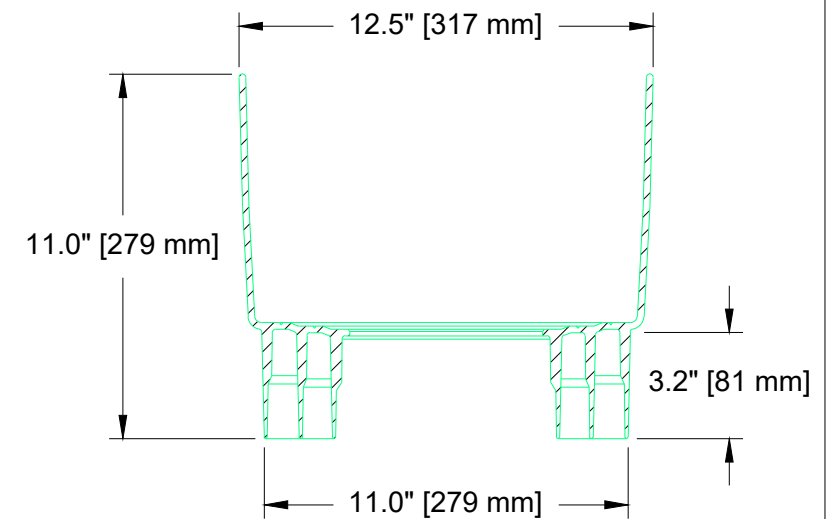


PVC BODY PLAN VIEW



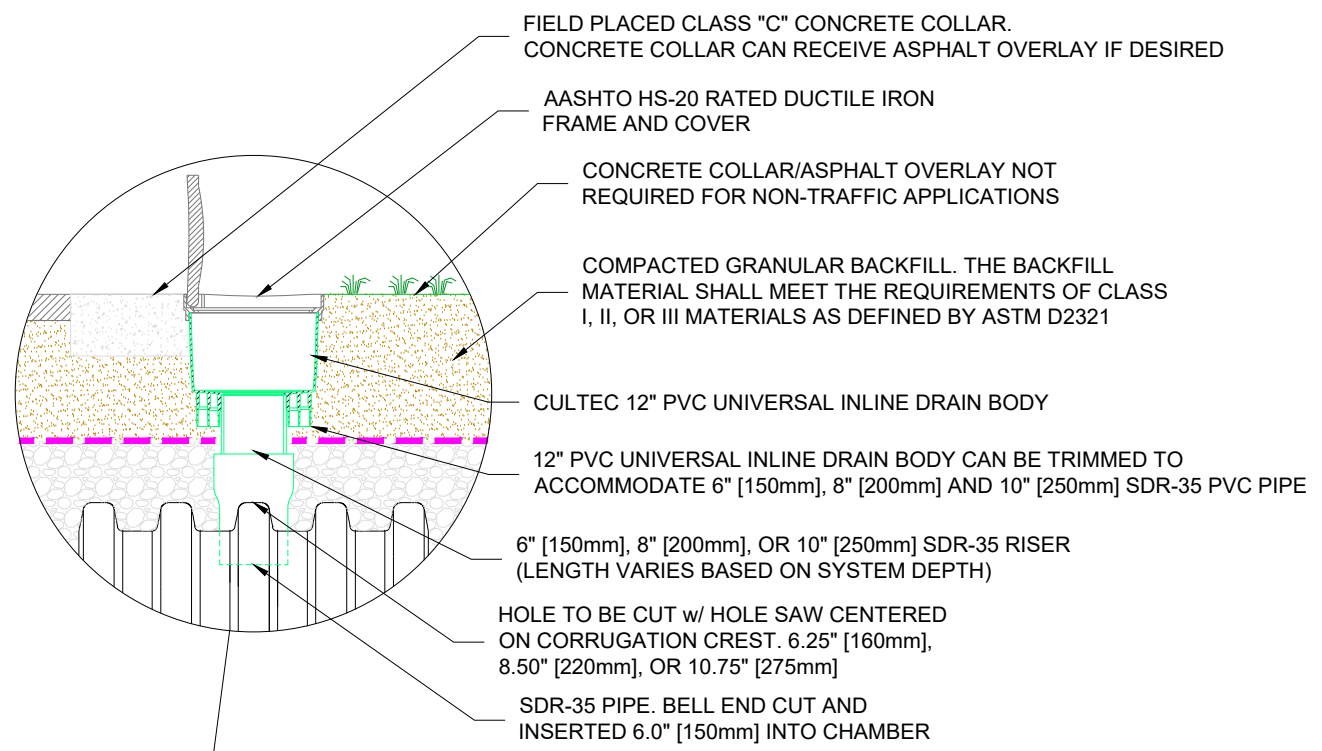
PVC BODY CAN BE TRIMMED IN FIELD
TO ACCOMMODATE 8" [200 mm] AND
10" [250 mm] SDR-35 RISER PIPE SIZES

PVC BODY ELEVATION VIEW

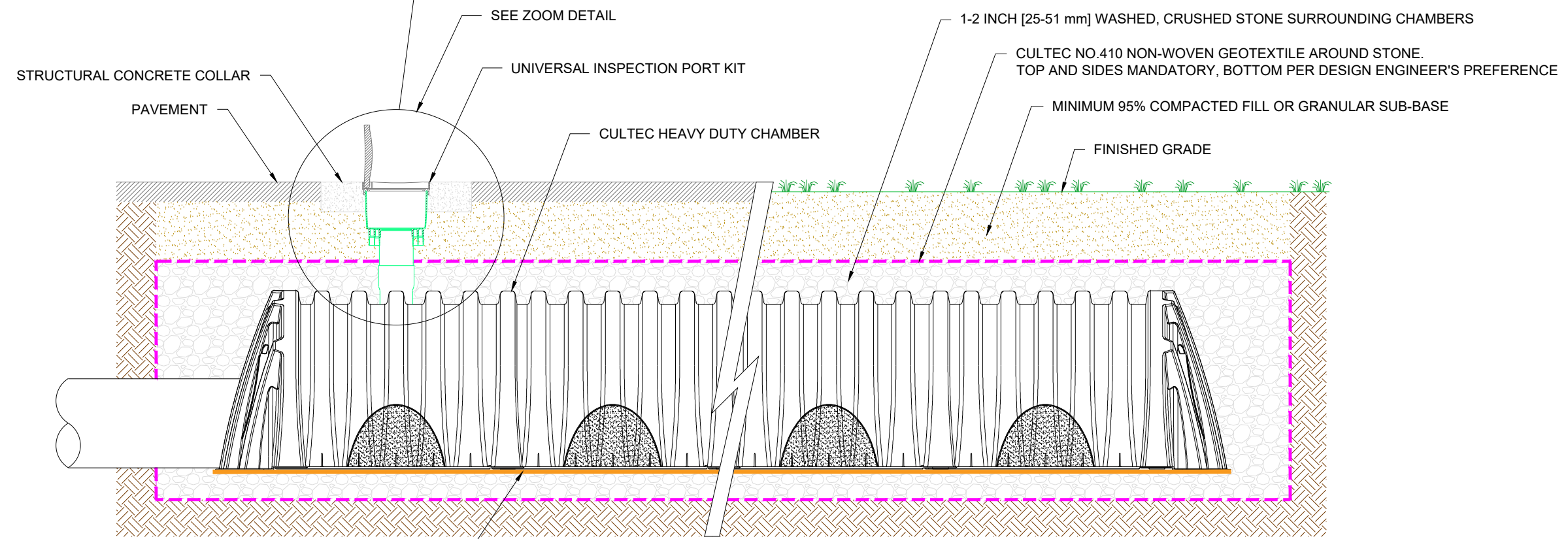


CULTEC UNIVERSAL INSPECTION PORT KIT DETAIL

CULTEC Stormwater Management Systems		CULTEC STORMWATER ACCESSORY	
P.O. Box 280	PH: (203) 775-4416	PROJECT NO: N/A	DATE: 08/2023
878 Federal Road	PH: (800) 4-CULTEC	DESIGNED BY: DPG	CHECKED BY: CULTEC
Brookfield, CT 06804	FX: (203) 775-1462	SCALE: N.T.S.	SHEET NO: 1 OF 2
www.cultec.com	ct-tech@cultec.com	UNIVERSAL INSPECTION PORT KIT	
<small> CULTEC is a registered trademark of CULTEC. All other trademarks are the property of their respective owners. CULTEC is not responsible for the use of its products in any application not intended by CULTEC. CULTEC is not responsible for the use of its products in any application not intended by CULTEC. CULTEC is not responsible for the use of its products in any application not intended by CULTEC. </small>		SYSTEM LAYOUT SHEET	



TYPICAL INSPECTION PORT ZOOM DETAIL



CULTEC WOVEN GEOTEXTILE PLACED BENEATH ALL INLET/OUTLET
PIPES, INTERNAL MANIFOLD AND CULTEC SEPARATOR ROW

TYPICAL INSPECTION PORT CROSS-SECTION DETAIL

CULTEC STORMWATER ACCESSORY	
PROJECT NO:	N/A
DATE:	08/2023
DESIGNED BY:	DPG
CHECKED BY:	CULTEC
SCALE:	N.T.S.
SHEET NO:	2 OF 2

UNIVERSAL INSPECTION PORT KIT	
PROJECT NO:	N/A
DATE:	08/2023
DESIGNED BY:	DPG
CHECKED BY:	CULTEC
SCALE:	N.T.S.
SHEET NO:	2 OF 2

CULTEC
Subsurface Stormwater Management Systems

P.O. Box 280
878 Federal Road
Brookfield, CT 06804
www.cultec.com
ct-tech@cultec.com

PH: (203) 775-4416
PH: (800) 4-CULTEC
FX: (203) 775-1462

CULTEC

THE INFORMATION CONTAINED HEREIN IS THE PROPERTY OF CULTEC. IT IS TO BE USED ONLY FOR THE PROJECT AND SITE SPECIFICALLY IDENTIFIED IN THE PROJECT TITLE. CULTEC MAKES NO WARRANTY, REPRESENTATION OR GUARANTEE, EXPRESS OR IMPLIED, AS TO THE ACCURACY, COMPLETENESS, OR RELIABILITY OF THE INFORMATION CONTAINED HEREIN. CULTEC SHALL NOT BE LIABLE FOR ANY DAMAGES, INCLUDING CONSEQUENTIAL DAMAGES, ARISING FROM THE USE OF THIS INFORMATION. THE INFORMATION CONTAINED HEREIN IS PROVIDED AS IS. CULTEC SHALL NOT BE RESPONSIBLE FOR ANY DAMAGES, INCLUDING CONSEQUENTIAL DAMAGES, ARISING FROM THE USE OF THIS INFORMATION. THE INFORMATION CONTAINED HEREIN IS PROVIDED AS IS. CULTEC SHALL NOT BE RESPONSIBLE FOR ANY DAMAGES, INCLUDING CONSEQUENTIAL DAMAGES, ARISING FROM THE USE OF THIS INFORMATION.